

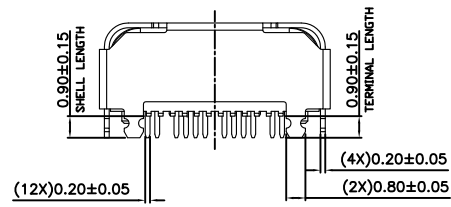
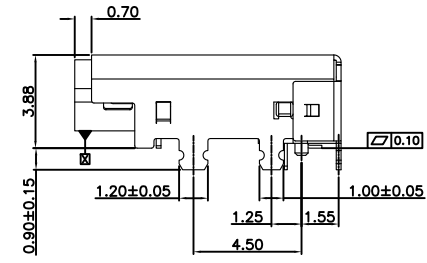
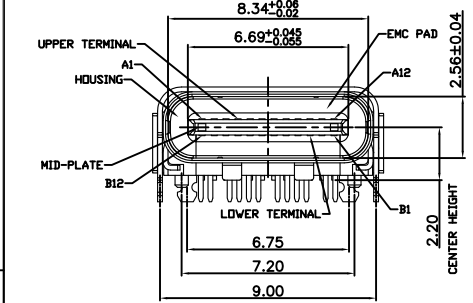
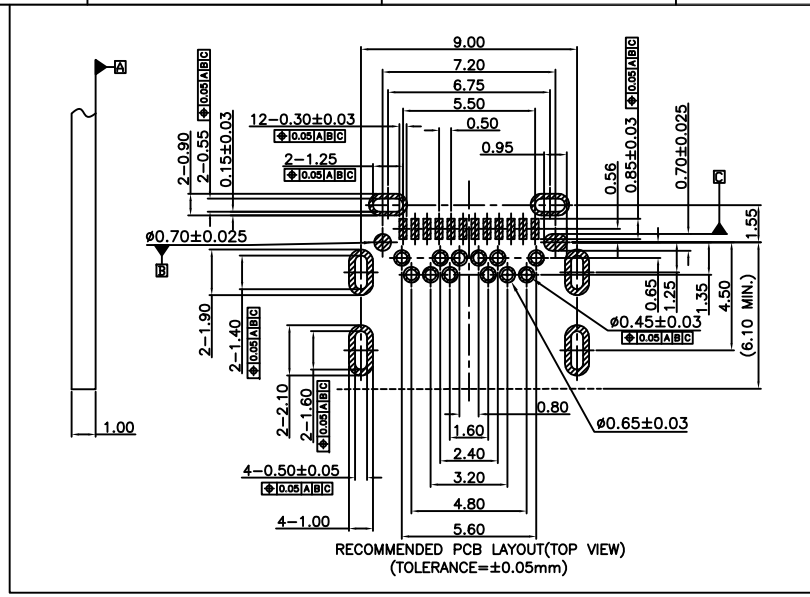
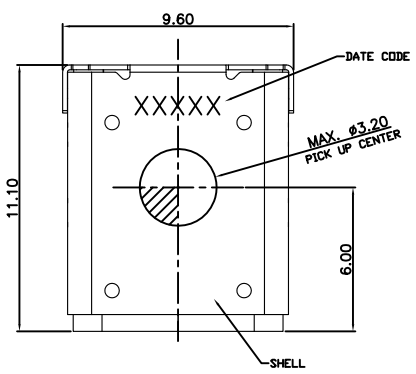
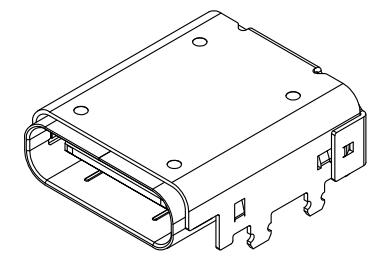
REVISIONS

REV	DESCRIPTION	DWN	DATE
F	PROPOSAL	ALDD	2017-09-13
G	UPDATE DATE CODE	ALDD	2018-08-08

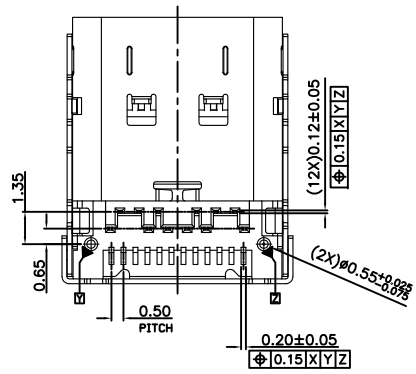
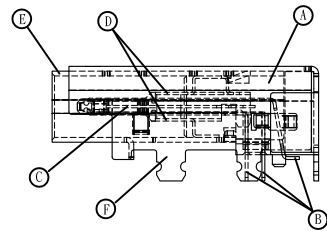
NOTES :

- MATERIAL:
 - A. HOUSING : THERMOPLASTIC,HIGH TEMP,UL94V-0 .
 - B. CONTACT : COPPER ALLOY.
 - C. MID-PLATE : STAINLESS STEEL.
 - D. EMC PAD : STAINLESS STEEL.
 - E. SHELL : STAINLESS STEEL.
 - F. OUTER SHELL : STAINLESS STEEL.
- FINISH:
 - CONTACT : Au ON CONTACT AREA(SEE NOTES 3)
 - 100u"(Min) MATTE TIN ON SOLDER AREA
 - 80u"(Min) NICKEL UNDERPLATING OVERALL .
- ELECTRICAL CHARACTERISTIC:
 - 3-1. CONTACT CURRENT RATING:
 - VBUS AND GND CONTACTS RATED AT 1.25A
 - PARALLELED FOR A TOTAL OF 5A.
 - 3-2. LOW LEVEL CONTACT RESISTANCE:
 - 40mohms MAX. FOR VBUS, GND AND OTHER CONTACTS.
 - 50mohms MAX. AFTER ENVIRONMENT TEST.
- MECHANICAL CHARACTERISTIC:
 - 4-1. INSERTION FORCE: 5~20N.
 - 4-2. EXTRACTION FORCE: 8~20N.
 - 4-3. DURABILITY: 10000 MATING CYCLES
 - 4-4. OPERATING TEMPERATURE: -55°C TO +85°C.
- P/N : UTC-002-1R24HX

PLATING OF CONTACT AREA
G: GOLD FLASH
6: 30u" Au



PIN ASSIGNMENT											
A1	A2	A3	A4	A5	A6	A7	A8	A9	A10	A11	A12
GND	TX1	TX1-	VBUS	CC1	D+	D-	RFU1	VBUS	RX2-	RX2+	GND
GND	RX1+	RX1-	VBUS	RFU2	D-	D+	CC2	VBUS	TX2-	TX2+	GND
B12	B11	B10	B9	B8	B7	B6	B5	B4	B3	B2	B1



GENERAL TOLERANCES (OTHERWISE SPECIFIED)	SCALE	DESIGN UNITS
4 PLS ±	NONE	MILIMETER
3 PLS ± 0.10		
2 PLS ± 0.15		
1 PLS ± 0.25		
ANGLES ± °		
QUALITY SYMBOLS		

DRAWN BY	DATE
JACK WU	2017-03-15
CHECKED BY	DATE
APPROVED BY	DATE
DRAWING NO.	SD-UTC002-001

VITECK CO., LTD.	
TITLE	USB TYPE C R/A HYBRID TYPE CH=2.20mm H=3.88mm
PART NO.	SD-UTC-002-1R24HX

THIS DRAWING CONTAINS INFORMATION THAT IS PROPRIETARY TO VITECK CORP., LTD AND SHOULD NOT BE USED WITHOUT WRITTEN PERMISSION



DWG REV.	SHEET NO.	SIZE
G	1 OF 1	

7

6

5

4

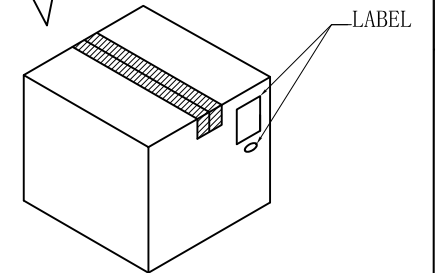
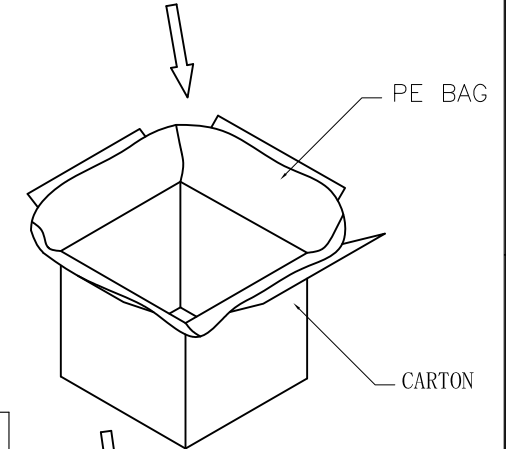
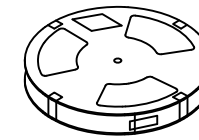
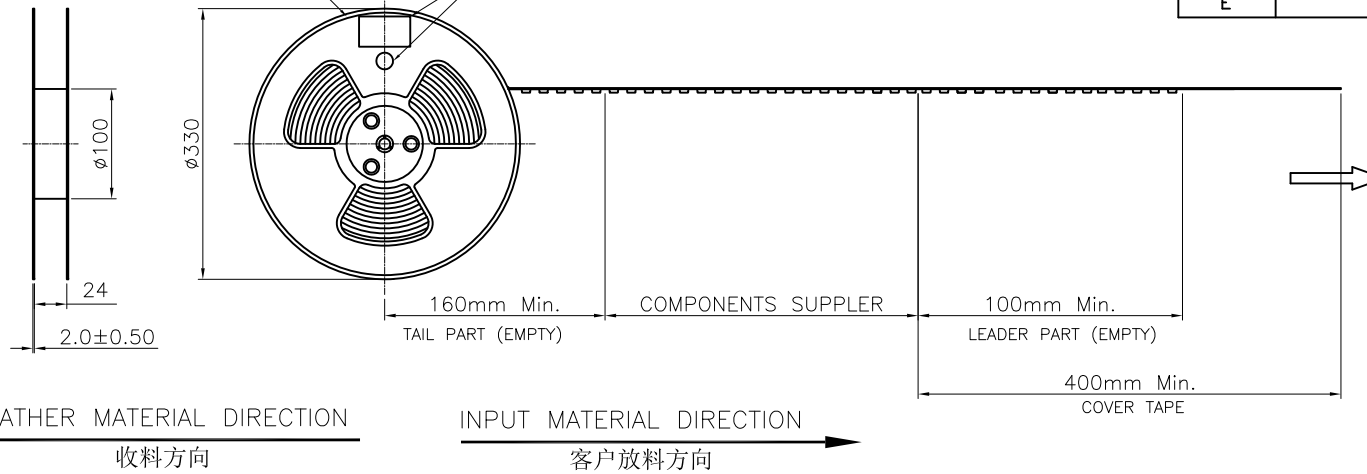
3

2

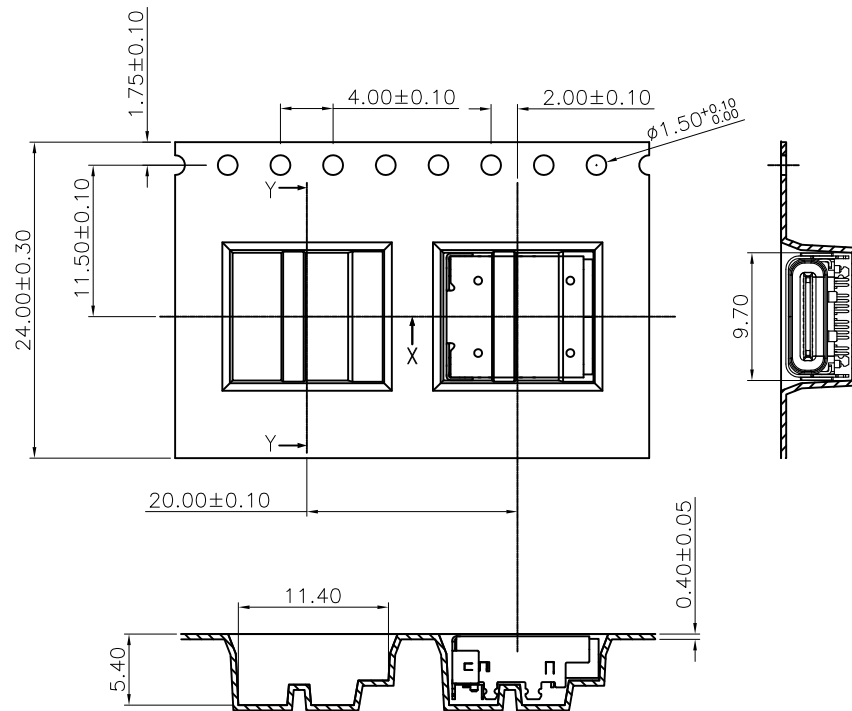
1

REVISIONS

REV	DESCRIPTION	DWN	DATE
D	PROPOSAL	ALDO	2017-08-29
E	UPDATE DRAWING	KELLY	2018-07-20

REEL
LABEL

PARTS PER SHIPPING CARTON	PARTS PER REEL (S.P.Q.)	TOTAL REELS PER PRIMARY CARTON
3000 (PCS)	600 (PCS)	5



GENERAL TOLERANCES (OTHERWISE SPECIFIED)	SCALE	DESIGN UNITS
	NONE	MILIMETER
4 PLS \pm mm	DRAWN BY	DATE
3 PLS ± 0.10	KELLY	2018-07-20
2 PLS ± 0.20	CHECKED BY	DATE
1 PLS ± 0.30	APPROVED BY	DATE
ANGLES \pm °	DRAWING NO.	PART NO.
QUALITY SYMBOLS $\nabla \sqrt{0}$	PK-UTC002-001	UTC-002 SERIES
THIS DRAWING CONTAINS INFORMATION THAT IS PROPRIETARY TO VITECK CORP., LTD AND SHOULD NOT BE USED WITHOUT WRITTEN PERMISSION		



VITECK CO., LTD.

TITLE
USB TYPE C R/A HYBRID TYPE CH=2.20mm
H=3.88mm

PART NO.
UTC-002 SERIES



THIRD ANGLE PROJECTION

DWG REV.
E

SHEET NO.
1 OF 1

SIZE

7

6

5

4

3

2

1