

7

6

5

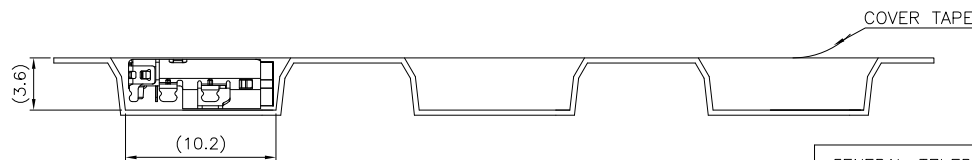
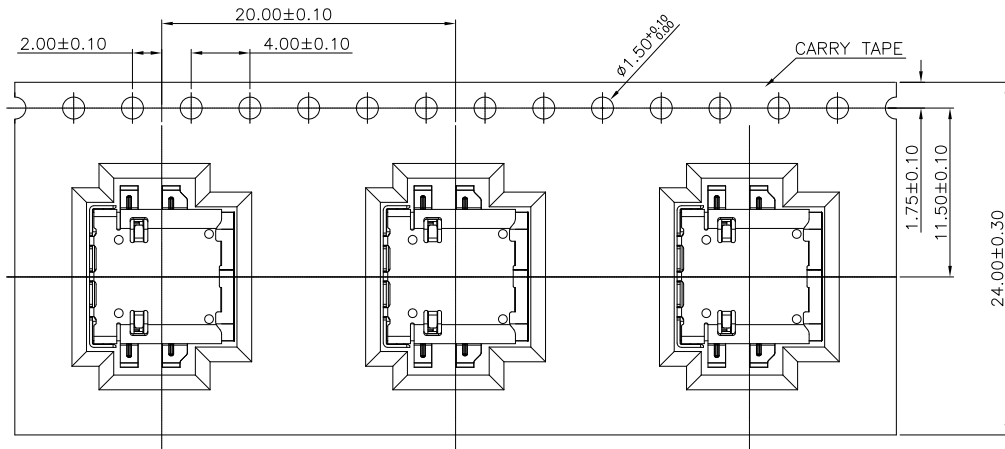
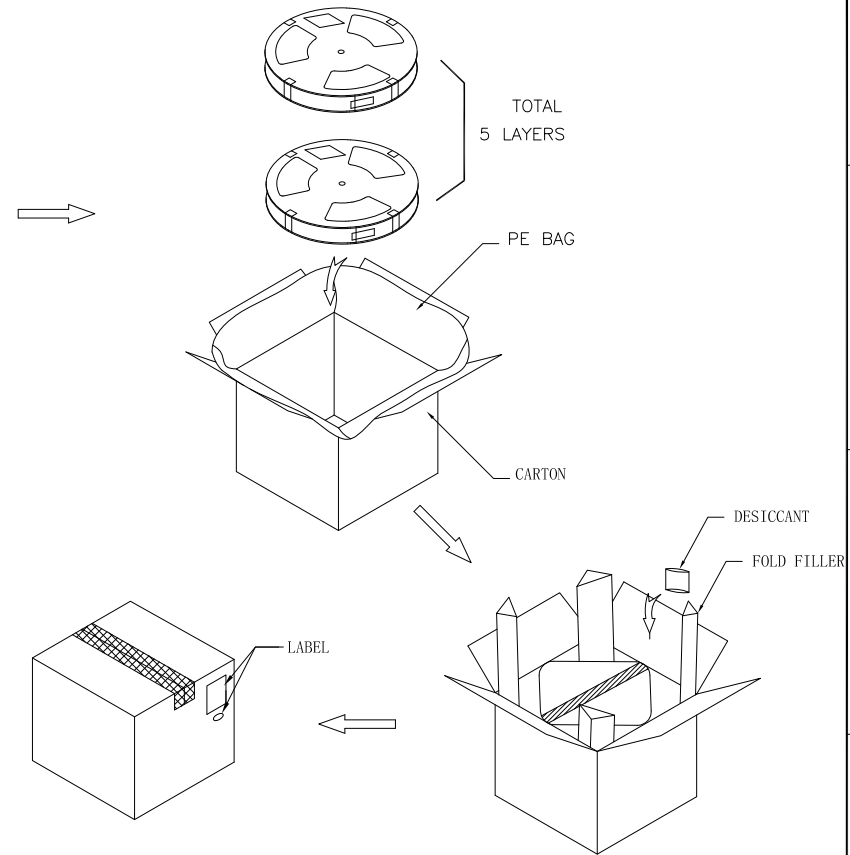
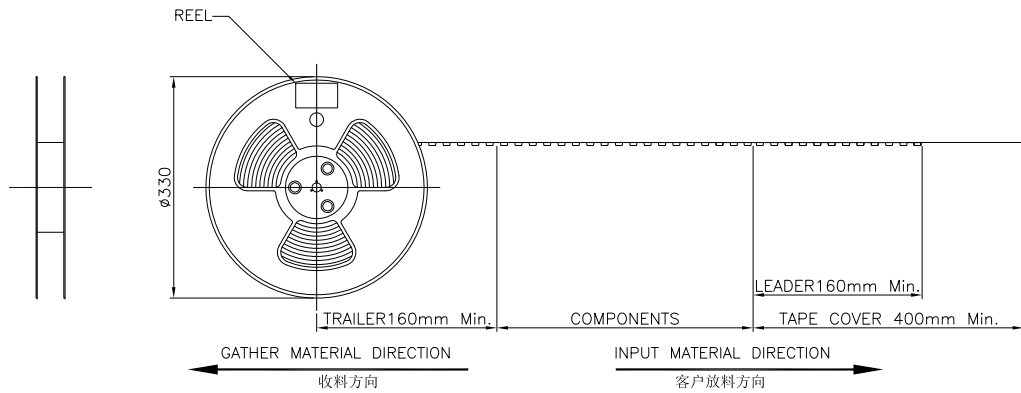
4

3

2

1

| REVISIONS | | | |
|-----------|--------------------------------|------|------------|
| REV | DESCRIPTION | DWN | DATE |
| B | CHANGE THE QUANTITY OF PACKAGE | ALDO | 2017-02-22 |



B

| PARTS PER SHIPPING CARTON | PARTS PER REEL (S.P.Q.) | TOTAL REELS PER PRIMARY CARTON |
|---------------------------|-------------------------|--------------------------------|
| 3500 (PCS) | 700 (PCS) | 5 |

| | | |
|--|---|-------------------------|
| GENERAL TOLERANCES (OTHERWISE SPECIFIED) | SCALE NONE | DESIGN UNITS MILIMETER |
| 4 PLS ± mm | DRAWN BY ALDO | DATE 2016-11-24 |
| 3 PLS ± 0.15 | CHECKED BY | DATE |
| 2 PLS ± 0.25 | APPROVED BY | DATE |
| 1 PLS ± 0.30 | DRAWING NO. PK-USB088-001 | PART NO. USB-088 SERIES |
| ANGLES ± ° | THIS DRAWING CONTAINS INFORMATION THAT IS PROPRIETARY TO VITECK CORP, LTD AND SHOULD NOT BE USED WITHOUT WRITTEN PERMISSION | |
| QUALITY SYMBOLS $\nabla \sqrt{C} = 0$ | THIRD ANGLE PROJECTION | |

VITECK CO., LTD.

TITLE
USB TYPE C CH=0.30mm H=1.98mm

PART NO. USB-088 SERIES

| | | |
|------------|------------------|------|
| DWG REV. B | SHEET NO. 1 OF 1 | SIZE |
|------------|------------------|------|

7

6

5

4

3

2

1