

7

6

5

4

3

2

1

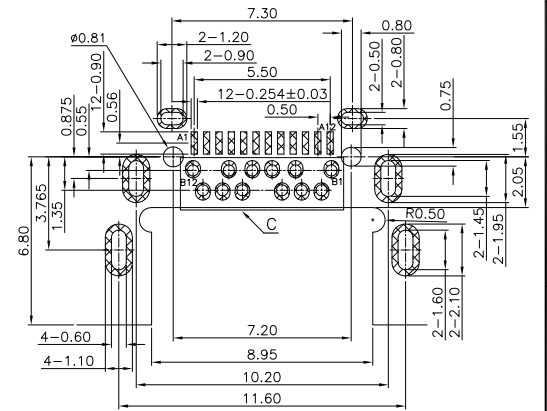
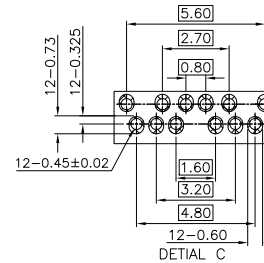
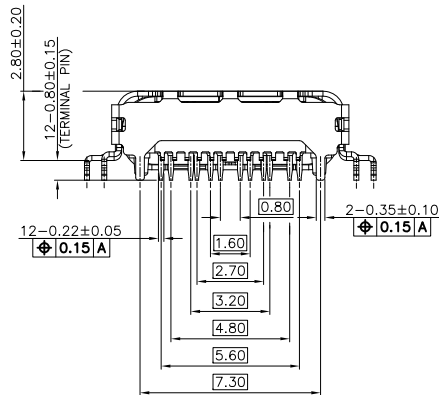
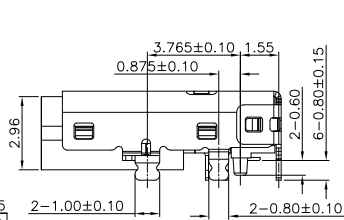
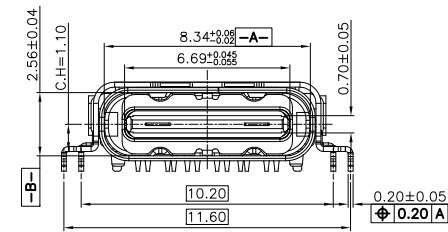
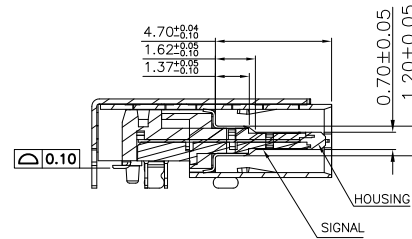
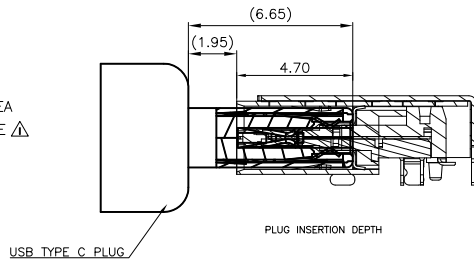
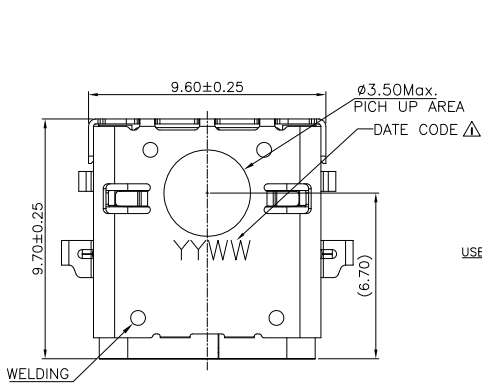
REVISIONS

REV	DESCRIPTION	DWN	DATE
H	UPDATE DRAWING	KELLY	2018-03-07
I	UPDATE DATE CODE	KELLY	2018-10-17

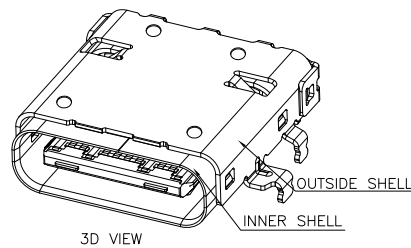
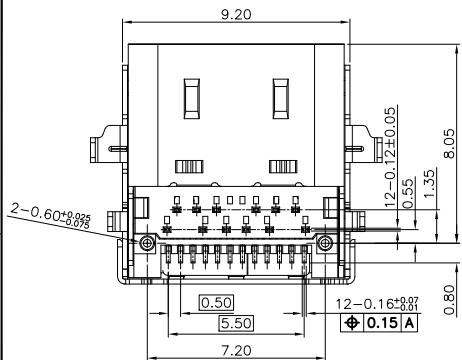
NOTES:

- MATERIAL:
 - 1.1 OUTSIDE SHELL: SUS301 T=0.20mm
 - 1.2 INNER SHELL: SUS301 T=0.20mm
 - 1.3 SIGNAL: SUS301 T=0.10mm
 - 1.4 RF PAD: SUS301 T=0.08mm
 - 1.5 HOUSING: LCP+30%G.F. UL94UL-0 BLACK
 - 1.6 TERMINAL: C19400
- PLATING:
 - 2.1 TERMINAL: Au PLATING ON CONTACT AREA, MATTE SN 75u"(MIN) ON SOLDERING AREA ,50u"(MIN) NICKEL UNDER PLATING OVER ALL.
 - 2.2 SHELL: 50u"(MIN) NICKEL UNDER PLATED OVER ALL.
- P/N: USB-087-1S24HX

- Au PLATING OF CONTACT AREA
- G: GOLD FLASH
- 1: 5u" Au
- 6: 30u" Au



RECOMMENDED PCB LAYOUT(TOP VIEW) (TOLERANCE=±0.05mm)



GENERAL TOLERANCES (OTHERWISE SPECIFIED)		SCALE	DESIGN UNITS
mm		NONE	MILIMETER
4 PLS	±	DRAWN BY	DATE
3 PLS	± 0.15	KELLY	2018-10-17
2 PLS	± 0.25	CHECKED BY	DATE
1 PLS	± 0.30	APPROVED BY	DATE
ANGLES		DRAWING NO.	PART NO.
± °		SD-USB087-001	USB-087 SERIES
QUALITY SYMBOLS		THIS DRAWING CONTAINS INFORMATION THAT IS PROPRIETARY TO VITECK CORP, LTD AND SHOULD NOT BE USED WITHOUT WRITTEN PERMISSION	
▽=0		THIRD ANGLE PROJECTION	



TITLE
USB TYPE C CH=1.10mm H=2.78mm

PART NO.
USB-087 SERIES

THIRD ANGLE PROJECTION

DWG REV.	SHEET NO.	SIZE
I	1 OF 1	

7

6

5

4

3

2

1

7

6

5

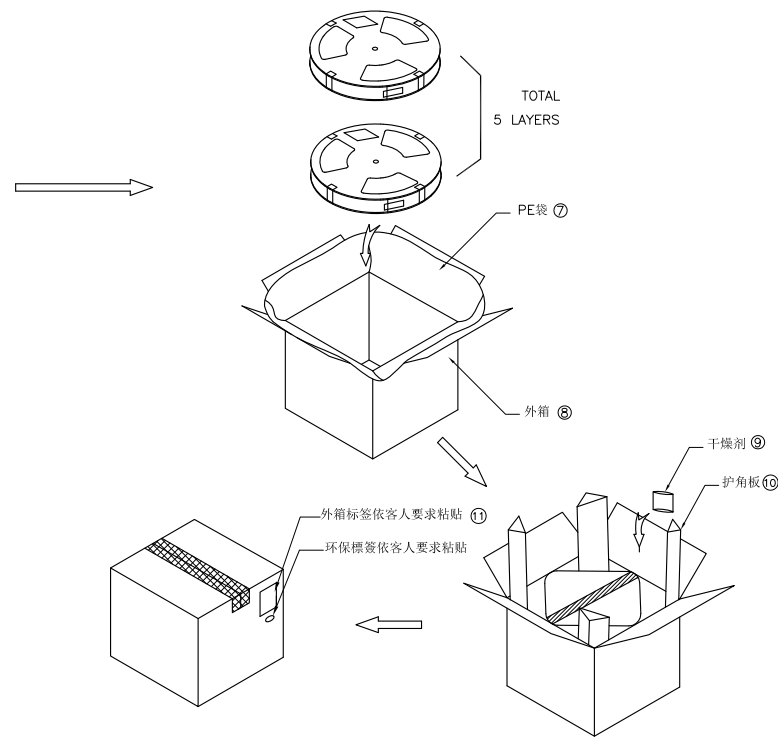
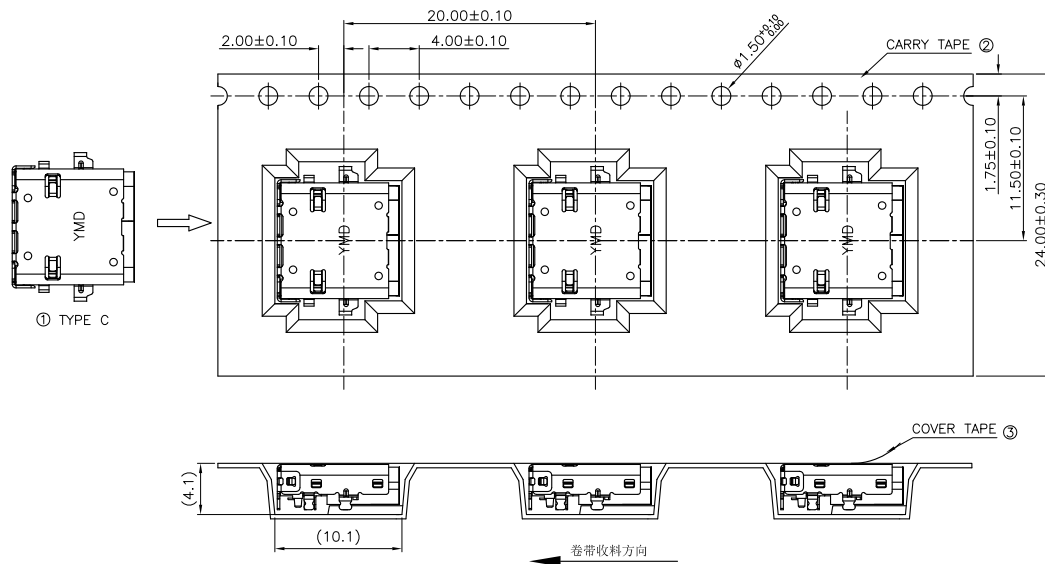
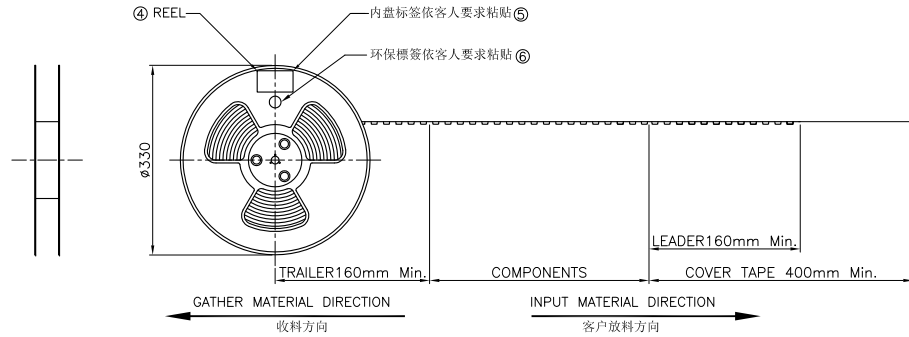
4

3

2

1

REVISIONS			
REV	DESCRIPTION	DWN	DATE
B	PROPOSAL	ALDO	2016-12-19



Notes:

- 每卷卷带的开始端留160mm以上空格不装产品(参考值: 30PCS), 以实际包装数量装满后, 结束端预留160mm以上空格不装产品(参考值: 30PCS);
- 卷带用自封胶带封口, 1个卷盘放置700PCS产品;
- 再绕一圈保护带, 保护带最后重量约50mm, 每个卷盘须贴一张条码标签和无齿标签(或依客人要求粘贴);
- 将PE袋套入外箱后, 将5盘装好产品的卷盘依次放入纸箱, 并在纸箱封角各放入干燥剂一袋;
- 外箱外侧以胶带封口, 每个外箱外侧图示位置贴一张条码标签和无齿标签(或依客人要求粘贴);
- COVER TAPE与CARRY TAPE剥离力: 20g~120g; 剥离角度: 165°~175°; 剥离速度: 250~300mm/min;
- 包装数量: 700PCS/REEL, 5REEL/CARTON, 共3500PCS/CARTON;

项目品名	规格	数量
① TYPE C	USB TYPE C母座	3500PCS
② CARRY TAPE	W=24mm P=20mm L=15.3	5SET
③ COVER TAPE	W=20.7mm	155m
④ REEL	D=φ13 " x24mm	5PCS
⑤ 内盘标签	—	5PCS
⑥ 环保标签	—	5PCS
⑦ PE袋	(400+250)x500x0.06mm	1PCS
⑧ 外箱	350x350x155mm K=K	1PCS
⑨ 干燥剂	—	2PCS
⑩ 护角板	100X100X140mm B=B	4PCS
⑪ 外箱标签	—	1PCS

GENERAL TOLERANCES (OTHERWISE SPECIFIED)		SCALE	DESIGN UNITS	VITECK CO., LTD.			
		NONE	MILIMETER				
4 PLS	±	DRAWN BY	DATE	TITLE			
3 PLS	± 0.15	ALDO	2016-11-23				
2 PLS	± 0.25	CHECKED BY	DATE				
1 PLS	± 0.30	APPROVED BY	DATE	USB TYPE C CH=1.10mm H=2.78mm			
ANGLES	± °	DRAWING NO.	PART NO.	PART NO.			
QUALITY SYMBOLS	▽=0	PK-USB087-001	USB-087 SERIES				
THIS DRAWING CONTAINS INFORMATION THAT IS PROPRIETARY TO VITECK CORP, LTD AND SHOULD NOT BE USED WITHOUT WRITTEN PERMISSION				THIRD ANGLE PROJECTION	DWG REV. B	SHEET NO. 1 OF 1	SIZE

7

6

5

4

3

2

1