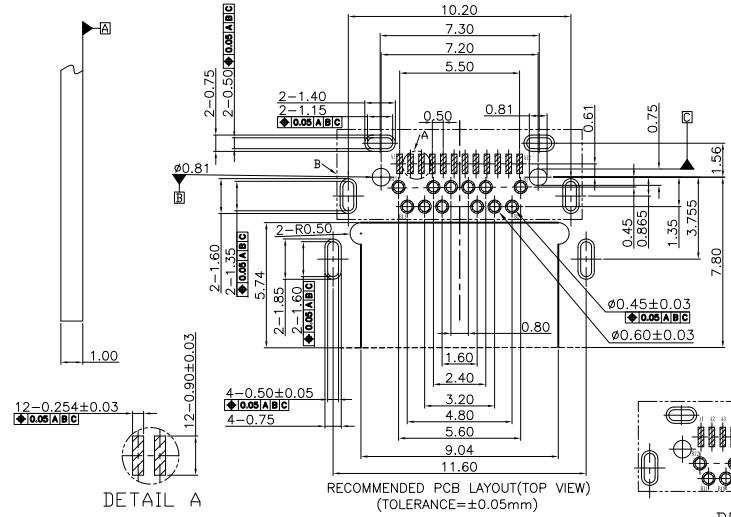
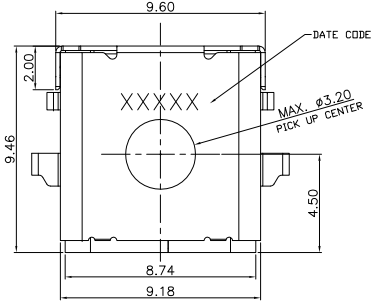


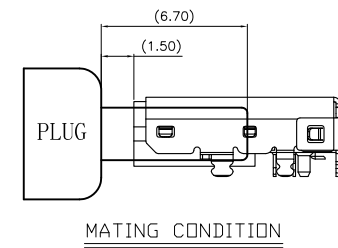
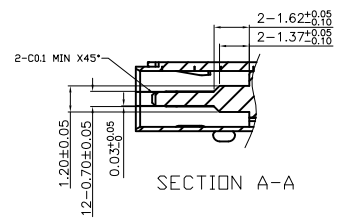
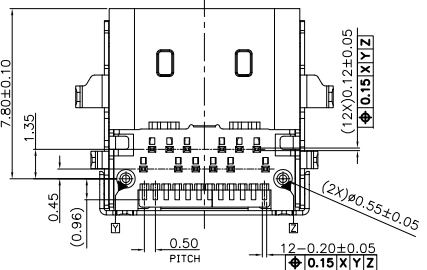
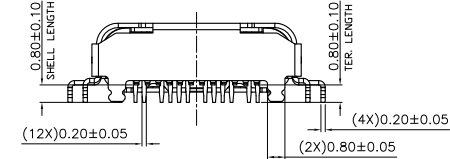
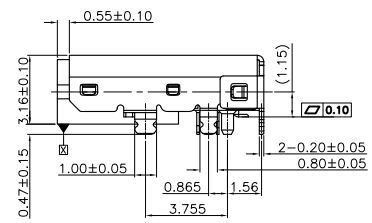
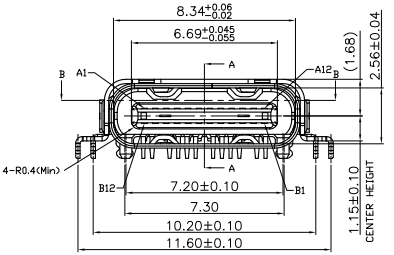
HALOGEN FREE

REVISIONS

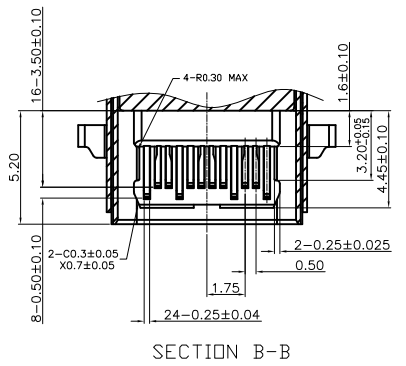
REV	DESCRIPTION	DWN	DATE
E	UPDATE DIMENSION	KELLY	2018-08-23
F	UPDATE DIMENSION	ALDO	2018-09-22



- NOTES :
- MATERIAL:
 - A. HOUSING : THERMOPLASTIC, HIGH TEMP, UL94V-0.
 - B. CONTACT : COPPER ALLOY.
 - C. MID-PLATE : STAINLESS STEEL.
 - D. SHELL : STAINLESS STEEL.
 - E. OUTER SHELL : STAINLESS STEEL.
 - FINISH:
 - CONTACT : Au ON CONTACT AREA(SEE NOTES 3)
 - 100u"(Min) MATTE TIN ON SOLDER AREA
 - 80u"(Min) NICKEL UNDERPLATING OVERALL .
 - ELECTRICAL CHARACTERISTIC:
 - 3-1. CONTACT CURRENT RATING:
 - 5A FOR VBUS PINS(A4,A9,B4,B9)
 - 1.25A FOR FOR GND PINS(A1,A12,B1,B12)
 - 0.25 A FOR OTHER PINS
 - 3-2. VOLTAGE RATING: 20.0V
 - 3-3. LOW LEVEL CONTACT RESISTANCE:
 - 40mohms MAX. FOR VBUS, GND AND OTHER CONTACTS.
 - 50mohms MAX. AFTER ENVIRONMENT TEST.
 - MECHANICAL CHARACTERISTIC:
 - 4-1. INSERTION FORCE: 5~20N.
 - 4-2. EXTRACTION FORCE: 8~20N (1~10000 CYCLES)
 - 6~20N (AFTER DURABILITY CYCLES)
 - 4-3. DURABILITY: 10000 MATING CYCLES
 - 4-4. OPERATING TEMPERATURE: -55°C TO +85°C.
 - P/N : UTC-015-1R24HX



PIN ASSIGNMENT											
A1	A2	A3	A4	A5	A6	A7	A8	A9	A10	A11	A12
GND	TX1-	TX1-	VBUS	CC1	D+	D-	RFU1	VBUS	RX2-	RX2+	GND
GND	RX1+	RX1-	VBUS	RFU2	D-	D+	CC2	VBUS	TX2-	TX2	GND
B12	B11	B10	B9	B8	B7	B6	B5	B4	B3	B2	B1



GENERAL TOLERANCES (OTHERWISE SPECIFIED)	SCALE	DESIGN UNITS
4 PLS ±	NONE	MILIMETER
3 PLS ± 0.10	DRAWN BY	DATE
2 PLS ± 0.15	KELLY	2018-08-23
1 PLS ± 0.25	CHECKED BY	DATE
ANGLES ± °	APPROVED BY	DATE
QUALITY SYMBOLS	DRAWING NO.	PART NO.
▽=0	SD-UTC015-001	UTC-015-1R24HX

VITECK CO., LTD.

TITLE
USB TYPE C R/A HYBRID TYPE CH=1.15mm

PART NO.
UTC-015-1R24HX

THIS DRAWING CONTAINS INFORMATION THAT IS PROPRIETARY TO VITECK CORP, LTD AND SHOULD NOT BE USED WITHOUT WRITTEN PERMISSION

THIRD ANGLE PROJECTION

DWG REV. F SHEET NO. 1 OF 1 SIZE

7

6

5

4

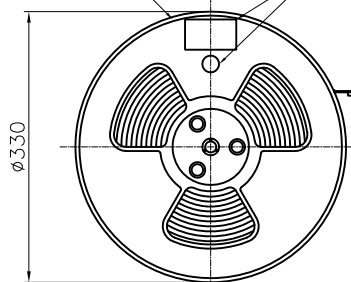
3

2

1

REVISIONS

REV	DESCRIPTION	DWN	DATE
A	PROPOSAL	KELLY	2018-06-28

REEL
LABEL

ø330

160mm Min.
TAIL PART (EMPTY)

COMPONENTS SUPPLIER

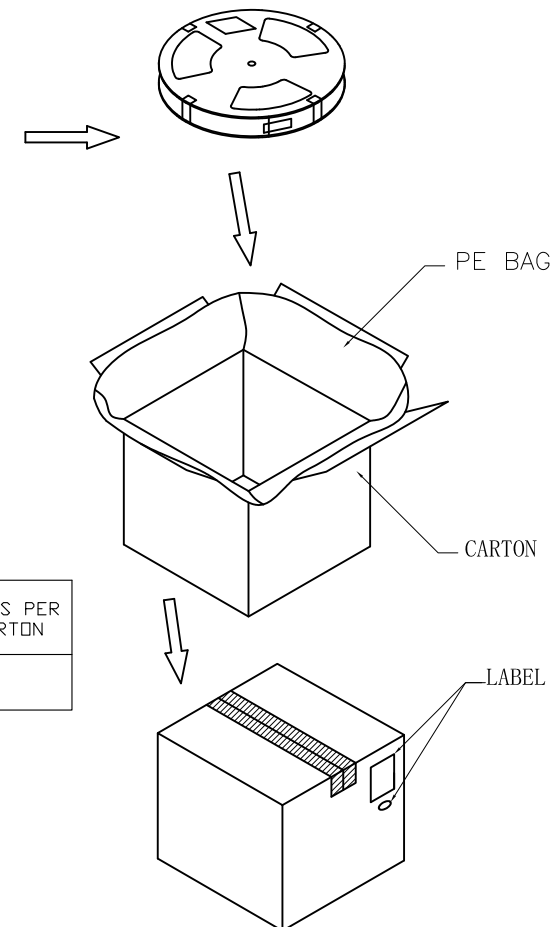
100mm Min.
LEADER PART (EMPTY)400mm Min.
COVER TAPE

GATHER MATERIAL DIRECTION

收料方向

INPUT MATERIAL DIRECTION

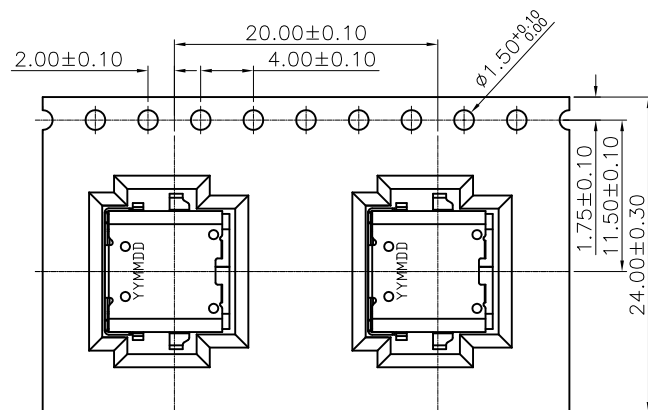
客户放料方向



PE BAG

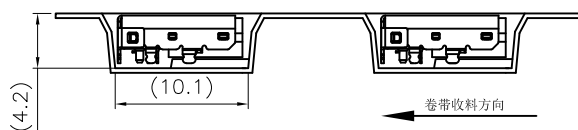
CARTON

LABEL



PARTS PER SHIPPING CARTON	PARTS PER REEL (S.P.Q.)	TOTAL REELS PER PRIMARY CARTON
3500 (PCS)	700 (PCS)	5

GENERAL TOLERANCES (OTHERWISE SPECIFIED)		SCALE	DESIGN UNITS	
4 PLS	± mm	NONE	MILIMETER	
3 PLS	± 0.10	DRAWN BY	DATE	TITLE
2 PLS	± 0.20	KELLY	2018-06-28	
1 PLS	± 0.30	CHECKED BY	DATE	USB TYPE C R/A HYBRID TYPE CH=1.15mm
ANGLES	± °	APPROVED BY	DATE	
QUALITY SYMBOLS		DRAWING NO.	PART NO.	UTC-015 SERIES
THIS DRAWING CONTAINS INFORMATION THAT IS PROPRIETARY TO VITECK CORP., LTD AND SHOULD NOT BE USED WITHOUT WRITTEN PERMISSION		PK-UTC015-001		
				DWG REV.
				A
				SHEET NO.
				1 OF 1
				SIZE



卷带收料方向

7

6

5

4

3

2

1