

HALOGEN FREE

Build of material:

ITEM	PART	MATERIAL	PLATING OR COLOR
7	LED	LCP UL 94 V-0	AMBER/WHITE
6	COVER	LCP UL 94 V-0	BLACK
5	DETECT PIN	PHOSPHOR BRONZE T=0.40±0.05mm	50u" Ni/30u" PdNi/5u" Au
4	POWER PIN	PHOSPHOR BRONZE T=0.30±0.05mm	50u" Ni/30u" PdNi/5u" Au
3	GROUND PIN	PHOSPHOR BRONZE T=0.30±0.05mm	50u" Ni/30u" PdNi/5u" Au
2	HOUSING	LCP UL 94 V-0	BLACK
1	SHELL	SUS 201 T=0.30±0.05mm	30u" Ni Min

REVISIONS			
REV	DESCRIPTION	DWN	DATE
F	MODIFY TAIL	JACK WU	2017-05-10
G	UPDATE DRAWING	KELLY	2018-09-17

SPECIFICATION:

1. ELECTRICAL CHARACTERISTICS:
1.1 CONNECTOR RATED CURRENT: 12.5A & Δ30° MAX OVER AMBIENT

RATED VOLTAGE: 20V DC

1.2 INSULATION RESISTANCE: 100 MΩ MIN AT 100V DC AFTER 1 MINUTE.

1.3 DIELECTRIC WITHSTANDING VOLTAGE: 150V AC FOR 1 MINUTE.

1.4 CONTACT RESISTANCE: 30 mΩ MAX.

2. MECHANICAL CHARACTERISTICS:

2.1 MATING FORCE: 2.5KgF MAX;
UNMATING FORCE: INITIAL: 0.6KgF MIN. AFTER 5000 CYCLES: 0.5KgF MIN

2.2 DURABILITY (MATING/UNMATING CYCLES): 5000 CYCLES.

3. OPERATING TEMPERATURE RANGE: -40°C ~ 85°C

4. HUMIDITY: 85% RH MAX

5. PRODUCT USER GUIDE:

MOISTURE SENSITIVE DEVICE MSL6-AFTER PACKING HAS BEEN

OPENED 8 HOURS, PARTS MUST BE BAKED FOR MIN. 5

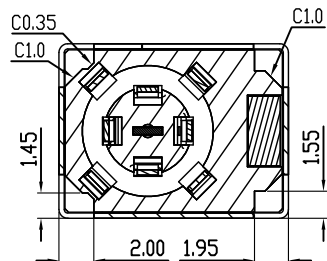
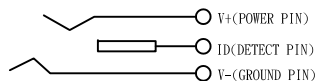
DAYS AT

40°C & 5% RH

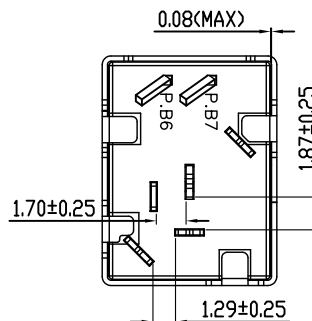
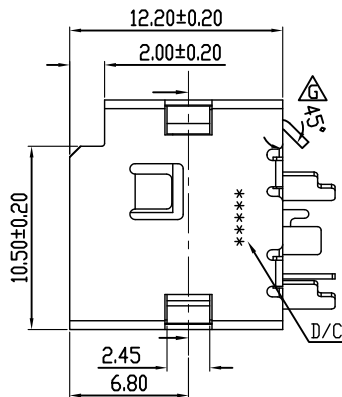
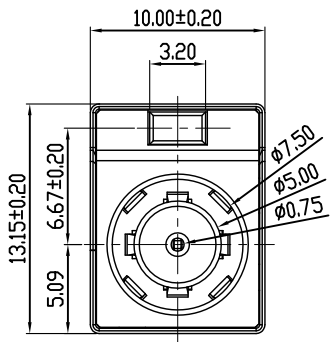
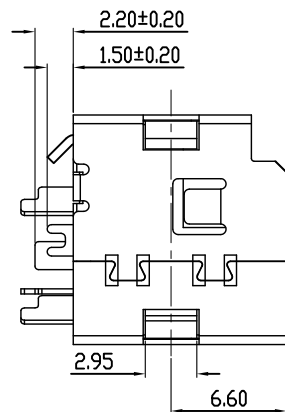
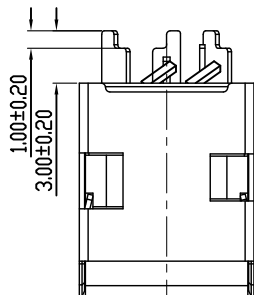
6. LED'S CHARACTERISTICS

7. PART LEGEND: DCJ-026-1L03HX

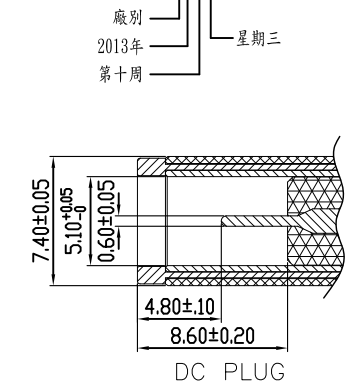
Au PLATING ON CONTACT AREA
I: 5u" Au
P: 30u" Pd/Ni (min) WITH 5u(MIN) Au



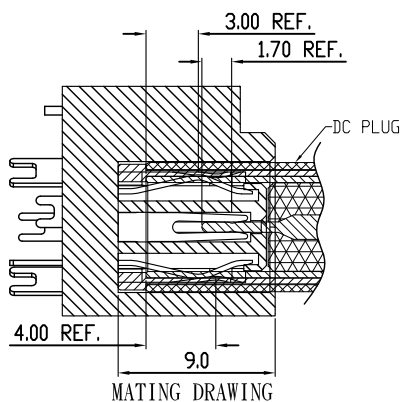
SECTION: A-A



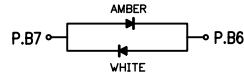
Date Code 碼說明, 例如: 23103



DC PLUG



MATING DRAWING



LED'S CHARACTERISTICS:

NODE	COLOR	DOMINANT WAVELENGTH	FORWARD VOLTAGE	LUMINOUS INTENSITY AT 20mA
P.B7(+), P.B6(-)	AMBER	585~595nm	2.6V Max	37.6~192.4mcd
P.B7(-), P.B6(+)	WHITE	N/A	3.7V Max	400~1150mcd

GENERAL TOLERANCES (OTHERWISE SPECIFIED)	SCALE	DESIGN UNITS
4 PLS ±	NONE	MILIMETER
3 PLS ±		
2 PLS ± 0.15		
1 PLS ± 0.25		
ANGLES ± °		
QUALITY SYMBOLS		

THIS DRAWING CONTAINS INFORMATION THAT IS PROPRIETARY TO VITECK CORP., LTD AND SHOULD NOT BE USED WITHOUT WRITTEN PERMISSION

VITECK CO., LTD.

TITLE	PART NO.	DWG REV.	SHEET NO.	SIZE
DC JACK CABLE TYPE LED	DCJ-026 SERIES	G	1 OF 1	

THIRD ANGLE PROJECTION

7

6

5

4

3

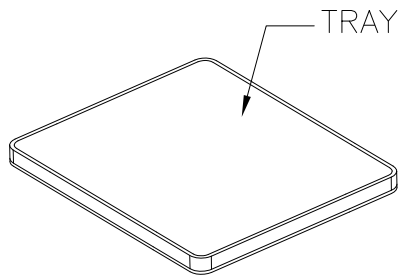
2

1

REVISIONS			
REV	DESCRIPTION	DWN	DATE
A	PROPOSAL	ALDO	2016-10-24

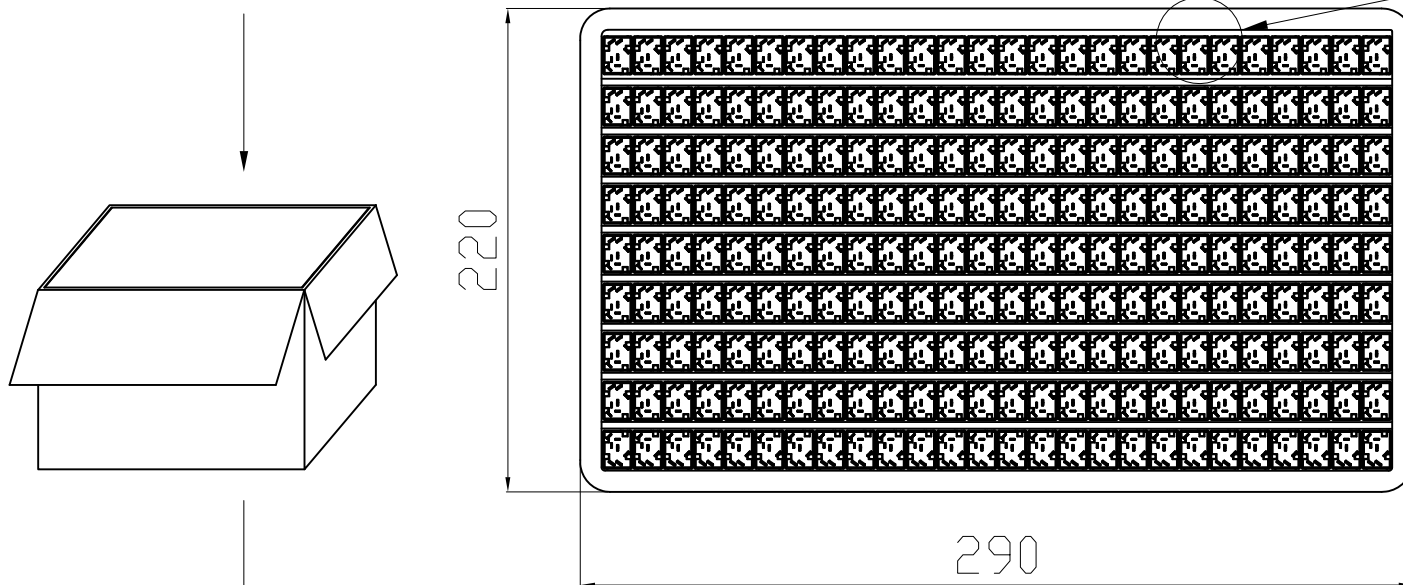
E

E



D

D



C

C

B

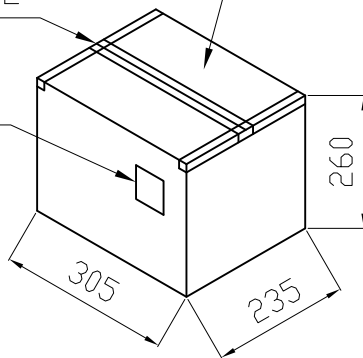
B

TRANSPARENT GLUE TEPE

CARTON

PARTS PER SHIPPING CARTON	PARTS PER TRAY (S.P.Q.)	TOTAL TRAY PER SHIPPING CARTON
3042(PCS)	234(PCS)	13

LABEL



A

A

GENERAL TOLERANCES (OTHERWISE SPECIFIED)	SCALE NONE	DESIGN UNITS MILIMETER
4 PLS ± mm	DRAWN BY ALDO	DATE 2016-10-24
3 PLS ±	CHECKED BY	DATE
2 PLS ± 0.20	APPROVED BY	DATE
1 PLS ± 0.30	DRAWING NO. PK-DCJ026-001	PART NO. DCJ-026 SERIES
ANGLES ± °		
QUALITY SYMBOLS $\nabla \sqrt{0}$		

VITECK CO., LTD.

TITLE
DC POWER JACK RECEPTACLE WITH SCREW HOLE

THIS DRAWING CONTAINS INFORMATION THAT IS PROPRIETARY TO VITECK CORP., LTD AND SHOULD NOT BE USED WITHOUT WRITTEN PERMISSION

THIRD ANGLE PROJECTION	DWG REV. A	SHEET NO. 1 OF 1	SIZE
------------------------	------------	------------------	------

7

6

5

4

3

2

1