

7

6

5

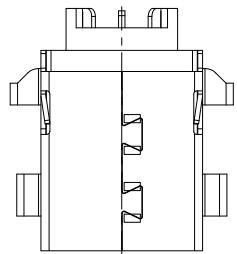
4

3

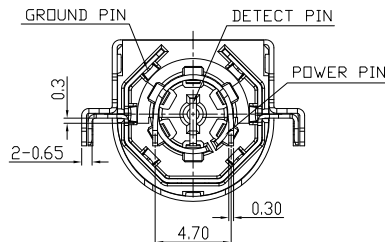
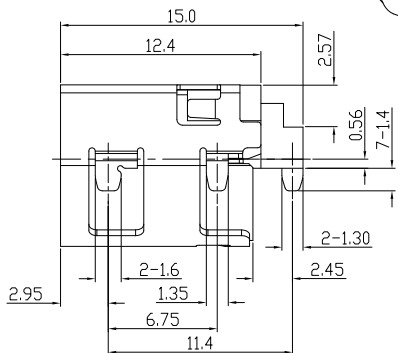
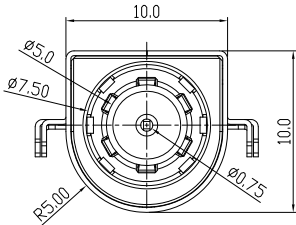
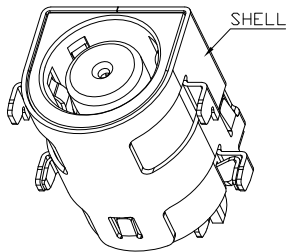
2

1

REVISIONS			
REV	DESCRIPTION	DWN	DATE
7	MODIFY Au PLATING	JACK WU	2016-06-15



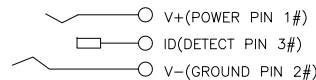
D/C: 15055
 星期五
 第5周
 2015年



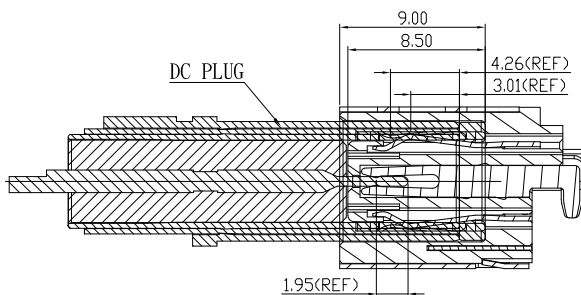
NOTES:

- HOUSING: LCP (E6808); UL 94V-0, COLOR: BLACK
 GROUND PIN: PHOSPHOR BRONZE; T=0.25mm
 SHELL: SUS; T=0.30mm,
 POWER PIN: PHOSPHOR BRONZE; T=0.30mm
 DETECT PIN: PHOSPHOR BRONZE; T=0.40mm
- PLATING:
 POWER PIN & GROUND PIN & DETECT PIN:
 AU ON CONTACT AREA, SEE NOTE 11
 MATTE SN 50u" MIN ON SOLDER TAIL, ALL OVER NI 50u" MIN.
 SHELL: 30u"~100u" NICKEL UNDERPLATED OVER ALL
- ENVIRONMENTAL:
 OPERATION TEMPERATURE: -40~+85°
- INSERTION FORCE: 0.3~3.0Kgf
- WITHDRAWAL FORCE: 0.3~3.0Kgf
- CONNECTOR RATED CURRENT: 10A & 30° MAX ΔT
 OVER AMBIENT RATED VOLTAGE: 20V
- INSULATION RESISTANCE: 100 MOHMS MIN AT 500V
 DC AFTER 1 MINUTE
- DIELECTRIC WITHSTANDING VOLTAGE: 500V AC FOR 1 MINUTE
- CONTACT RESISTANCE: 30mOHMS MAX
- DURABILITY: 5000 CYCLES
- PART LEGEND: DCJ-009-1N03HX

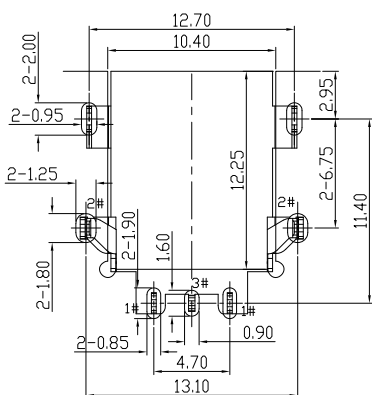
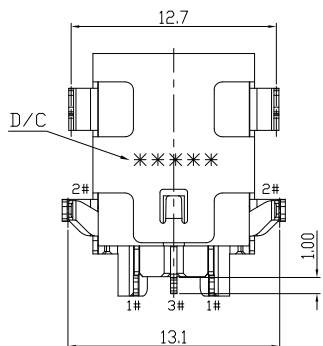
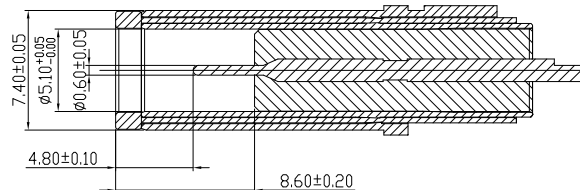
Au PLATING:
 0:50u"
 1:5u"
 6:30u"



CIRCUIT DIAGRAM



DC PLUG



RECOMMENDED PCB LAYOUT
 TOLERANCE: ±0.05mm

MATING DRAWING

GENERAL TOLERANCES (OTHERWISE SPECIFIED)	SCALE	DESIGN UNITS
4 PLS ±	NONE	MILIMETER
3 PLS ±		
2 PLS ± 0.20		
1 PLS ± 0.30		
ANGLES ± °		
QUALITY SYMBOLS		

DRAWN BY	DATE
JACK WU	2016-06-15
CHECKED BY	DATE
APPROVED BY	DATE
DRAWING NO.	SD-DCJ009-001



TITLE
 DC POWER JACK RECEPTACLE
 DIP C/H 0.56mm

PART NO.
 DCJ-009 SERIES

THIS DRAWING CONTAINS INFORMATION THAT IS PROPRIETARY TO VITECK CORP., LTD AND SHOULD NOT BE USED WITHOUT WRITTEN PERMISSION

THIRD ANGLE PROJECTION

DWG REV.	SHEET NO.	SIZE
7	1 OF 1	

7

6

5

4

3

2

1

7

6

5

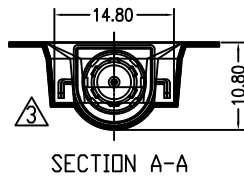
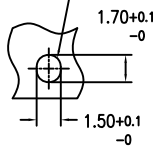
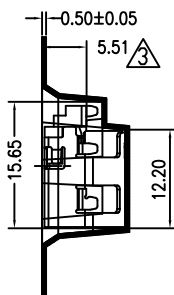
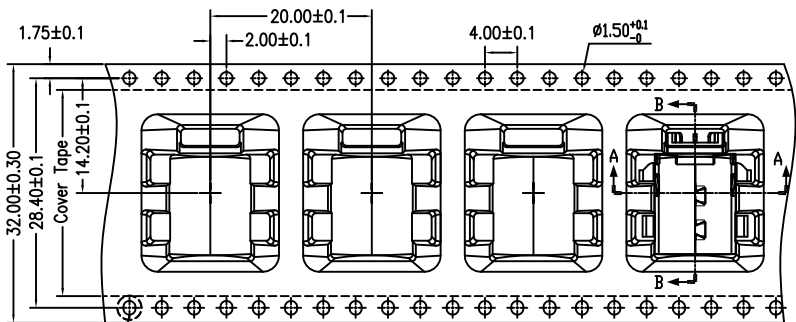
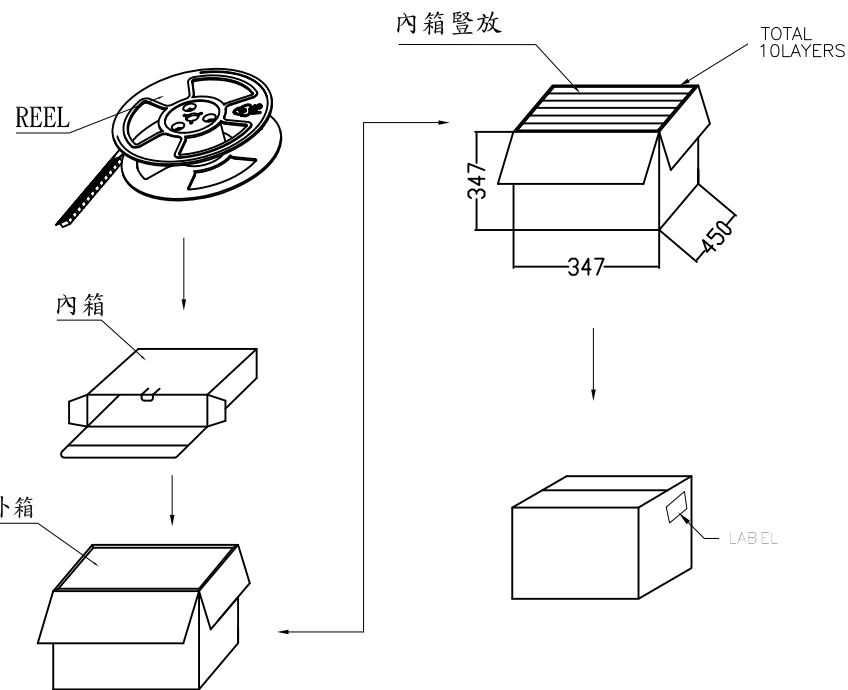
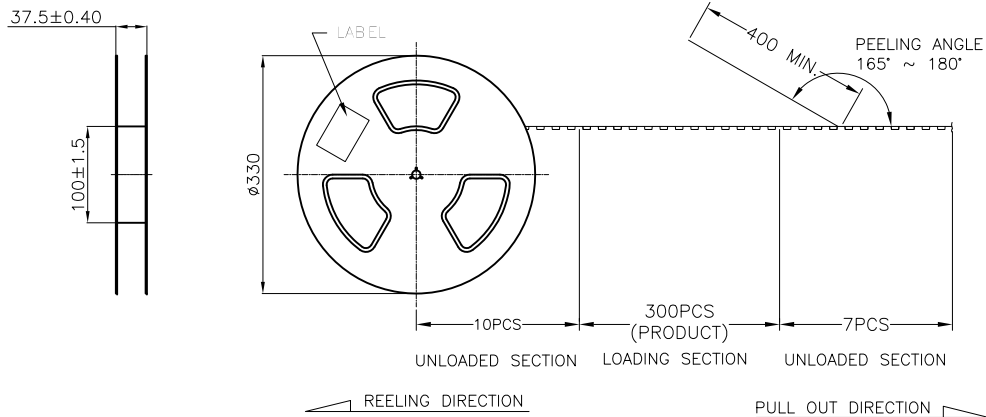
4

3

2

1

REVISIONS			
REV	DESCRIPTION	DWN	DATE
3	CHANGE TAPE DISIGN	ALDO	2016-04-07



PRODUCT P/N	PARTS PER SHIPPING CARTON	PARTS PER REEL	TOTAL REELS PER SHIPPING CARTON
DCJ-009 SERIES	3000(PCS)	300(PCS)	10

GENERAL TOLERANCES (OTHERWISE SPECIFIED)	SCALE NONE	DESIGN UNITS MILIMETER
4 PLS ±	DRAWN BY EDEN	DATE 2015-05-27
3 PLS ±	CHECKED BY	DATE
2 PLS ± 0.20	APPROVED BY	DATE
1 PLS ± 0.30		
ANGLES ± °	DRAWING NO. PK-DCJ009-001	PART NO. DCJ-009 SERIES
QUALITY SYMBOLS $\nabla \sqrt{0}$		

VITECK CO., LTD.

TITLE
DC POWER JACK RECEPTACLE
DIP C/H 0.56mm

THIS DRAWING CONTAINS INFORMATION THAT IS PROPRIETARY TO VITECK CORP, LTD AND SHOULD NOT BE USED WITHOUT WRITTEN PERMISSION	THIRD ANGLE PROJECTION	DWG REV. 3	SHEET NO. 1 OF 1	SIZE
---	------------------------	------------	------------------	------

7

6

5

4

3

2

1