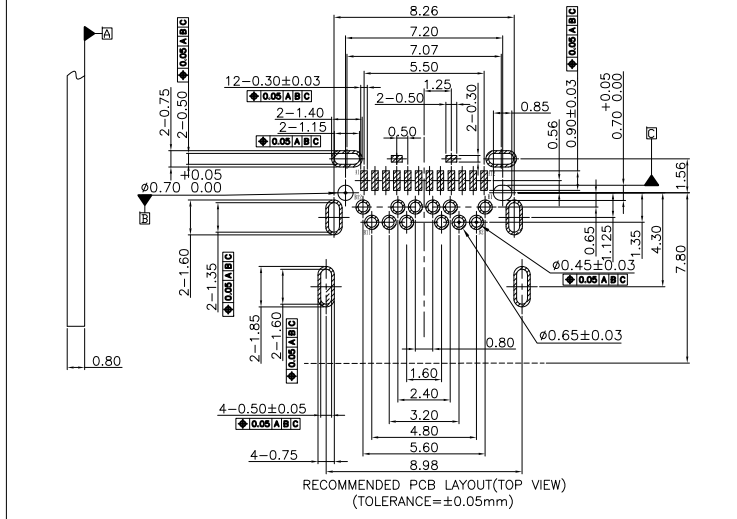
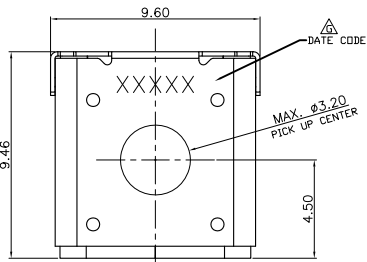
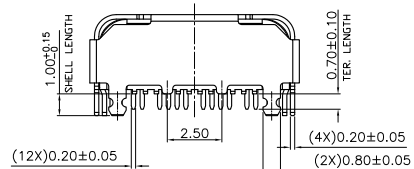
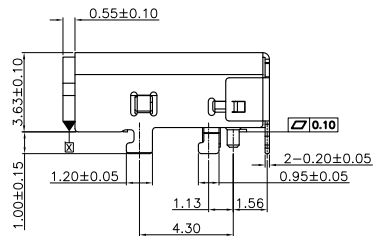
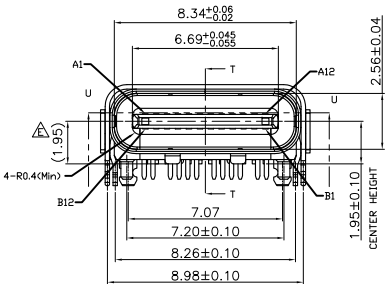


7 HALOGEN FREE

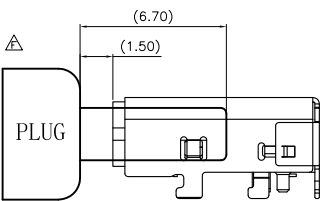
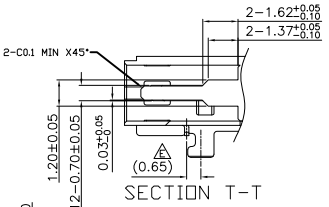


REVISIONS			
REV	DESCRIPTION	DWN	DATE
F	ADD MATING REF.	KELLY	2018-05-07
G	UPDATE D/C	KELLY	2018-08-07

- NOTES :
- MATERIAL:
 - A. HOUSING : LCP E471i ,HIGH TEMP ,JUL94V-0 ,BLACK
 - B. CONTACT : CU-01.
 - C. MID-PLATE : SUS304
 - D. SHELL : SUS304.
 - E. OUTER SHELL : SUS304.
 - FINISH:
 - CONTACT : Au ON CONTACT AREA(SEE NOTES 5)
 - 100u"(Min) MATTE TIN ON SOLDER AREA
 - 80u"(Min) NICKEL UNDERPLATING OVERALL .
 - ELECTRICAL CHARACTERISTIC:
 - 3-1. CONTACT CURRENT RATING:
 - 5A FOR VBUS PINS(A4,A9,B4,B9)
 - 1.25A FOR FOR GND PINS(A1,A12,B1,B12)
 - 0.25 A FOR OTHER PINS
 - 3-2. VOLTAGE RATING: 20.0V
 - 3-3. LOW LEVEL CONTACT RESISTANCE:
 - 40mohms MAX. FOR VBUS, GND AND OTHER CONTACTS.
 - 50mohms MAX. AFTER ENVIRONMENT TEST.
 - MECHANICAL CHARACTERISTIC:
 - 4-1. INSERTION FORCE: 5~20N.
 - 4-2. EXTRACTION FORCE: 8~20N (1~10000 CYCLES)
 - 6~20N (AFTER DURABILITY CYCLES)
 - 4-3. DURABILITY: 10000 MATING CYCLES
 - 4-4. OPERATING TEMPERATURE: -55°C TO +85°C.
 - P/N : UTC-006-1R24HX



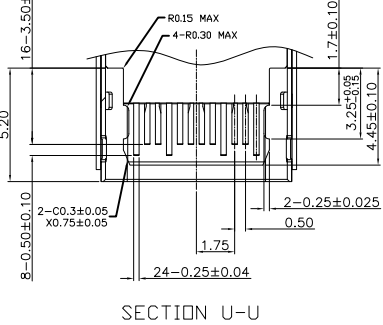
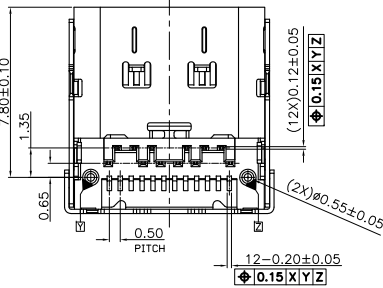
PLATING OF CONTACT AREA
G: GOLD FLASH
6: 30u" Au



MATING CONDITION

PIN ASSIGNMENT											
A1	A2	A3	A4	A5	A6	A7	A8	A9	A10	A11	A12
GND	TX1	TX1-	VBUS	CC1	D+	D-	RFU1	VBUS	RX2-	RX2+	GND
GND	RX1+	RX1-	VBUS	RFU2	D-	D+	CC2	VBUS	TX2-	TX2	GND
B12	B11	B10	B9	B8	B7	B6	B5	B4	B3	B2	B1

Definition of Date Code
XXXXX
 The day of week.
ex:Monday→1 · Saturday→6
 The Week No. of Year
ex:2018/07/25→30
 Year of Production.
ex:2018→8 · 2016→6
 Place of Production.
ex:DongGuang→2



SECTION U-U

GENERAL TOLERANCES (OTHERWISE SPECIFIED)	SCALE NONE	DESIGN UNITS MILIMETER
4 PLS ±	DRAWN BY KELLY	DATE 2018-08-07
3 PLS ± 0.10	CHECKED BY	DATE
2 PLS ± 0.15	APPROVED BY	DATE
1 PLS ± 0.25	DRAWING NO. SD-UTC006-001	PART NO. UTC-006-1R24HX
ANGLES ± °		
QUALITY SYMBOLS ∇=0		

VITECK CO., LTD.

TITLE
USB TYPE C R/A HYBRID TYPE CH=1.95mm
H=3.63mm

PART NO. UTC-006-1R24HX

THIS DRAWING CONTAINS INFORMATION THAT IS PROPRIETARY TO VITECK CORP, LTD AND SHOULD NOT BE USED WITHOUT WRITTEN PERMISSION

THIRD ANGLE PROJECTION

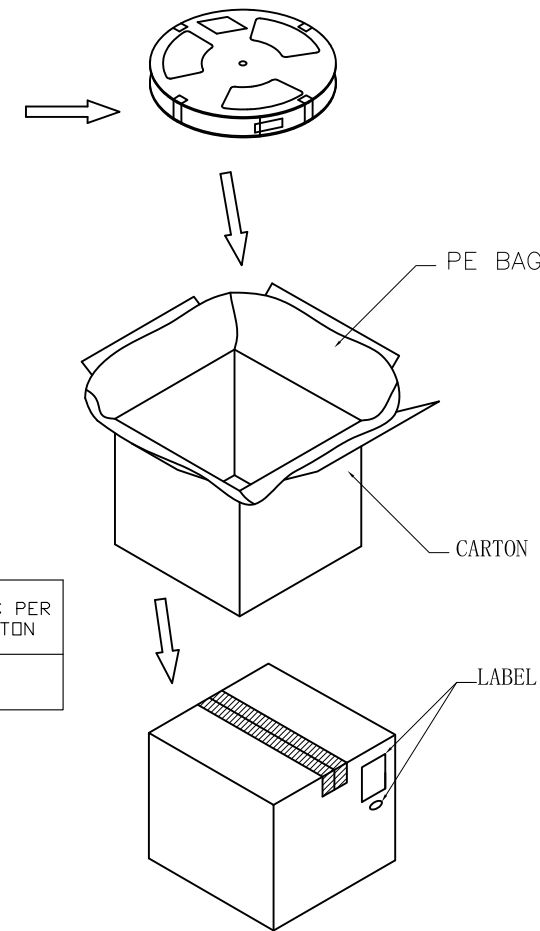
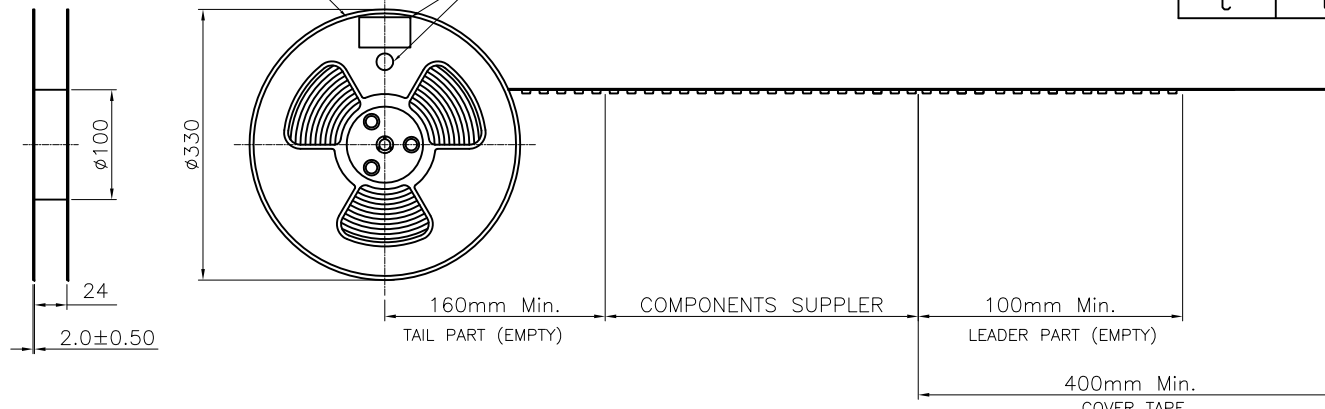
DWG REV. G SHEET NO. 1 OF 1 SIZE

HALOGEN FREE

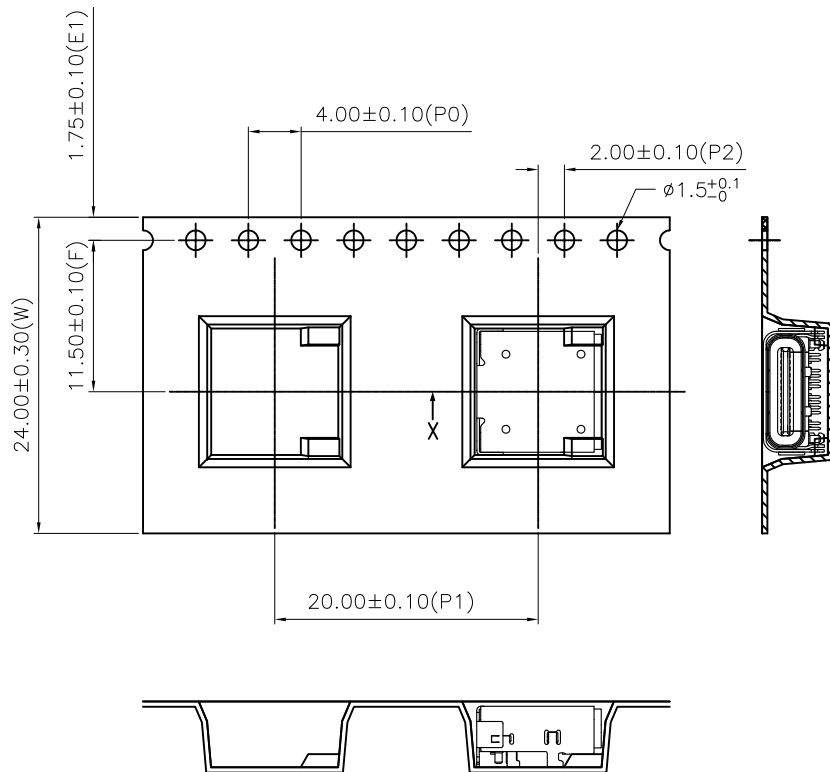
REVISIONS

REV	DESCRIPTION	DWN	DATE
B	CHANGE PACKAGE	ALDD	2017-11-10
C	CHANGE PITCH & PACKAGE	ALDD	2018-04-16

REEL LABEL



GATHER MATERIAL DIRECTION 收料方向 ← INPUT MATERIAL DIRECTION 客户放料方向 →



PARTS PER SHIPPING CARTON	PARTS PER REEL (S.P.Q.)	TOTAL REELS PER PRIMARY CARTON
3000 (PCS)	600 (PCS)	5

GENERAL TOLERANCES (OTHERWISE SPECIFIED)		SCALE NONE	DESIGN UNITS MILIMETER		
4 PLS ± mm		DRAWN BY JACK WU	DATE 2017-10-13		
3 PLS ± 0.10		CHECKED BY	DATE	TITLE USB TYPE C R/A HYBRID TYPE CH=1.95mm H=3.63mm	
2 PLS ± 0.20		APPROVED BY	DATE		
1 PLS ± 0.30		DRAWING NO. PK-UTC006-001		PART NO. UTC-006-1R24HX	
ANGLES ± °		THIS DRAWING CONTAINS INFORMATION THAT IS PROPRIETARY TO VITECK CORP., LTD AND SHOULD NOT BE USED WITHOUT WRITTEN PERMISSION			
QUALITY SYMBOLS $\nabla \sqrt{0}$		THIRD ANGLE PROJECTION	DWG REV. C	SHEET NO. 1 OF 1	SIZE

7

6

5

4

3

2

1