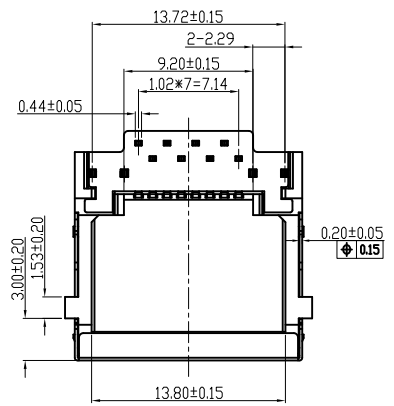


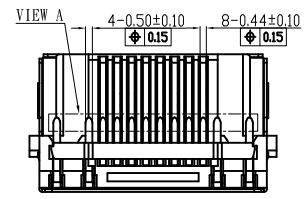
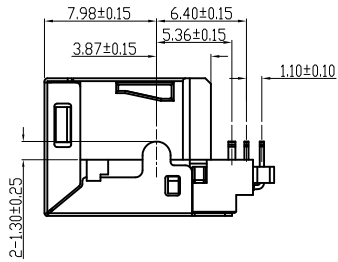
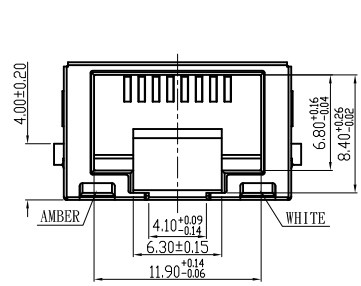
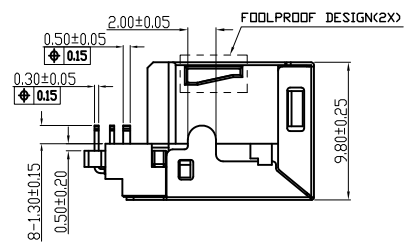
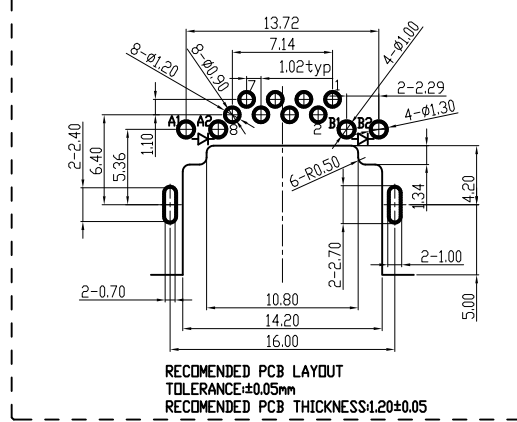
HALOGEN FREE

REVISIONS

REV	DESCRIPTION	DWN	DATE
A	PROPOSAL	ALDO	2018-03-23



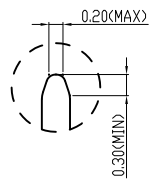
LED ELECTRICAL CHARACTERISTIC					
NODE	COLOR		WAVELENGTH	FORWARD CURRENT	
A1(+)	A2(-)	WHITE	A1 → A2		If=20mA
B1(+)	B2(-)	AMBER	B1 → B2	584-594nm	If=20mA



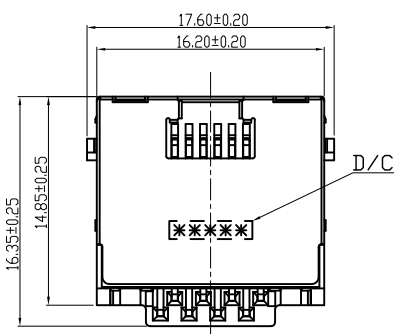
- NOTE:
- MATERIAL:
 - HOUSING: HIGH TEMP. THERMAL PLASTIC,Nylon(PA10T) GLASS FIBER FILLED,JL94V-0,COLOR:BLACK.
 - CONTACT: PHOSPHOR BRONZE.
 - SHELL: STAINLESS STEEL.
 - STOPPLE/DEFEND: HIGH TEMP. THERMAL PLASTIC,LCP GLASS FIBER FILLED,JL94V-0,COLOR:BLACK.
 - LED: GREEN/AMBER,TREATMENT:TIN.
 - MYLAR:YELLOW
 - FINISH:
 - CONTACT:
 - GOLD PLATING ON CONTACT AREA ,SEE NOTE 5
 - 50μMIN. MATTE TIN PLATING ON SOLDER AREA,
 - 30μMIN. NICKEL UNDERPLATING OVERALL.
 - SHELL: 50μMIN. NICKEL PLATING OVERALL.
 - DATE CODE: YY (YEAR), WW (MONTH) ,D (DATE) .
 - ROHS AND HALOGEN FREE COMPLIANT.
 - PART LEGEND: RJN-038-1L12HX

D/C: 16021

星期一
第二周
2016年



VIEW A SCALE 5:1



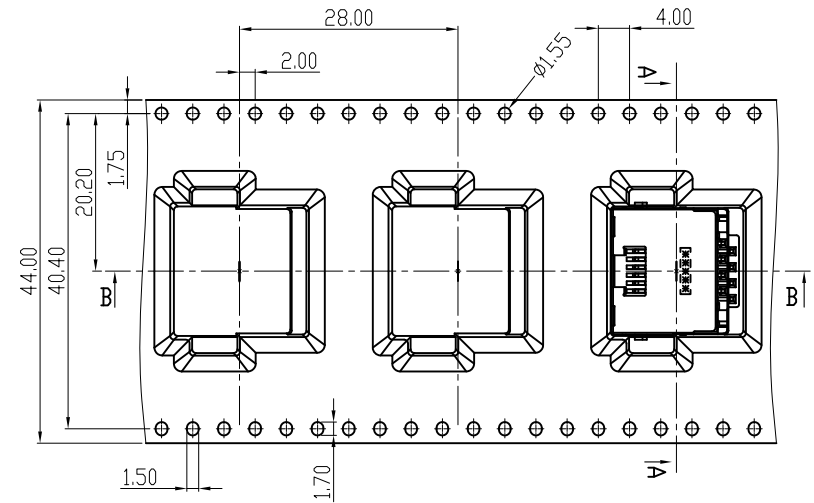
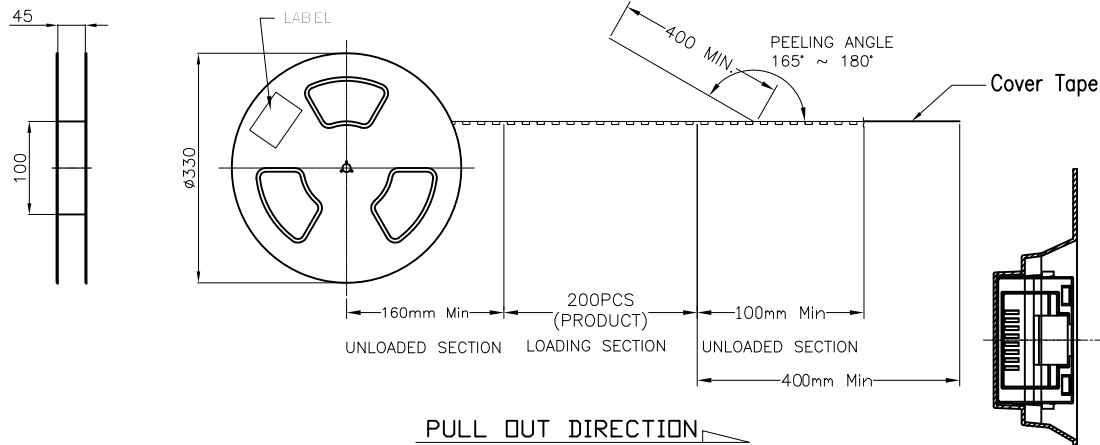
GENERAL TOLERANCES (OTHERWISE SPECIFIED)		SCALE	DESIGN UNITS	TITLE
mm		NONE	MILIMETER	
4 PLS	±	DRAWN BY	DATE	
3 PLS	±	ALDO	2018-03-23	PART NO. RJN-038 SERIES
2 PLS	± 0.20	CHECKED BY	DATE	
1 PLS	± 0.25	APPROVED BY	DATE	DWG REV. A
ANGLES	± °	DRAWING NO.	SD-RJN038-001	
QUALITY SYMBOLS	▽=0	THIS DRAWING CONTAINS INFORMATION THAT IS PROPRIETARY TO VITECK CORP, LTD AND SHOULD NOT BE USED WITHOUT WRITTEN PERMISSION		SIZE 1



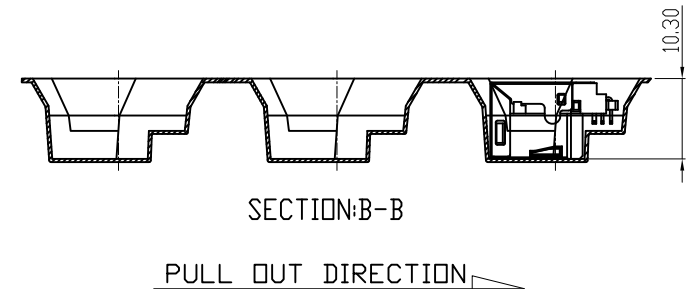
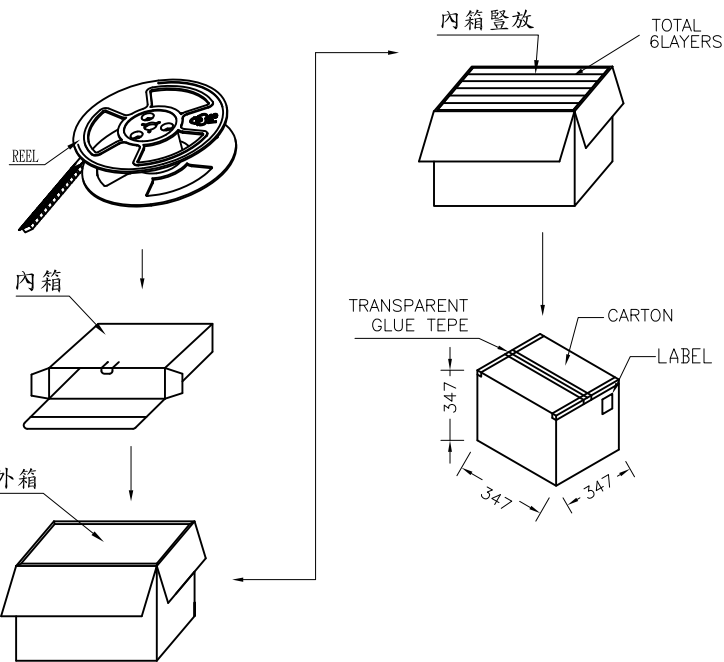
DWG REV. A
SHEET NO. 1 OF 1
SIZE 1

HALOGEN FREE

REVISIONS			
REV	DESCRIPTION	DWN	DATE
A	PROPOSAL	ALDO	2018-03-26



PARTS PER SHIPPING CARTON	PARTS PER REEL (S.P.Q.)	TOTAL REELS PER SHIPPING CARTON
1200(PCS)	200(PCS)	6



GENERAL TOLERANCES (OTHERWISE SPECIFIED)		SCALE	DESIGN UNITS	
mm		NONE	MILIMETER	
4 PLS ±		DRAWN BY	DATE	TITLE
3 PLS ±		ALDO	2018-03-26	RJ45 MODULAR JACK, RIGHT ANGLE
2 PLS ± 0.20		CHECKED BY	DATE	DIP, H=4.00mm, WITH LED, RJ11 FOOL PROOF
1 PLS ± 0.25		APPROVED BY	DATE	PART NO.
ANGLES ± °		DRAWING NO.		RJN-038 SERIES
QUALITY SYMBOLS	$\nabla = 0$	PK-RJN038-001		
THIS DRAWING CONTAINS INFORMATION THAT IS PROPRIETARY TO VITECK CORP, LTD AND SHOULD NOT BE USED WITHOUT WRITTEN PERMISSION				THIRD ANGLE PROJECTION
		DWG REV.	SHEET NO.	SIZE
		A	1 OF 1	