

7

6

5

4

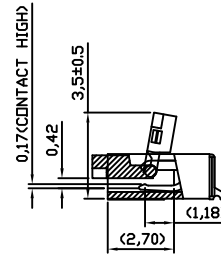
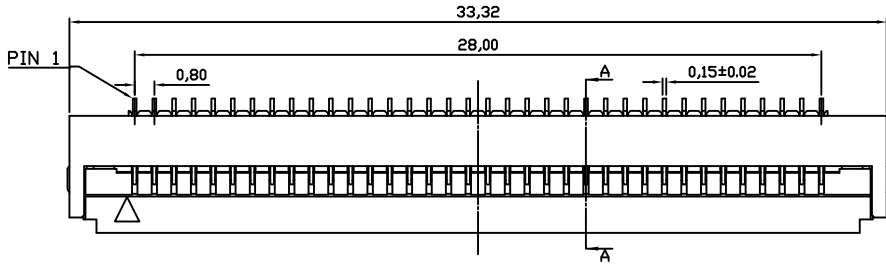
3

2

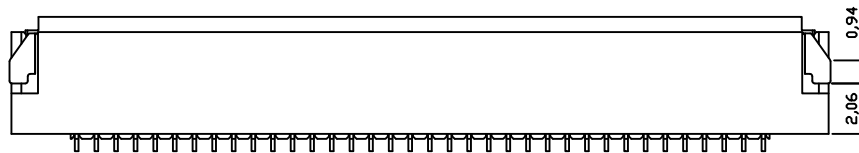
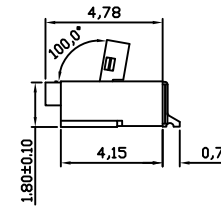
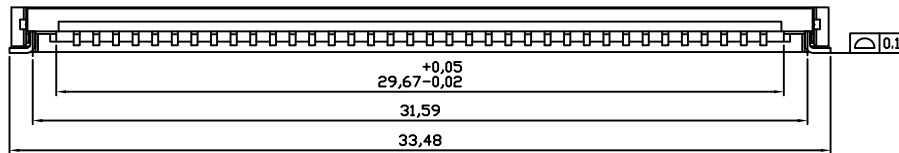
1

REVISIONS

REV	DESCRIPTION	DWN	DATE
7	ECN2017110005	ALDO	2017-12-12



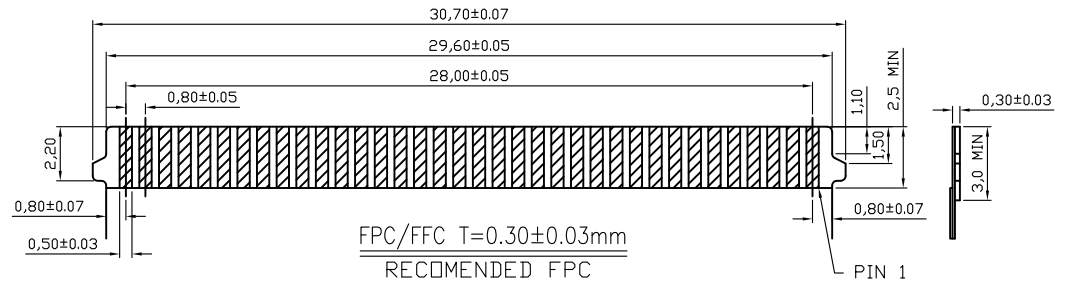
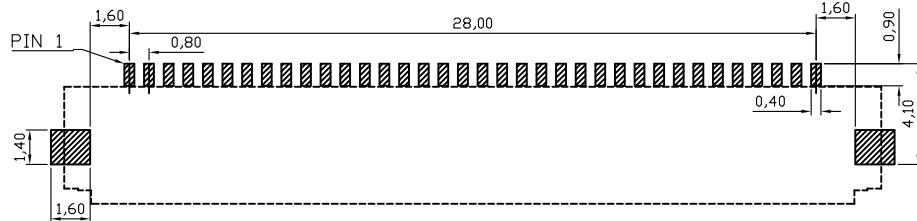
SECTION A-A
SCALE 1 : 1



- NOTES:
- MATERIAL:
 - HOUSING: ENGINEERING PLASTIC(LCP),UL94V-0, COLOR: NATURAL.(WHITE)
 - CONTACTS: PHOSPHOR BRONZE
 - FITTING NAIL: BRASS
 - ACTUATOR: ENGINEERING PLASTIC(LCP),UL94V-0, COLOR: BLACK.
 - PLATING:
 - CONTACTS: Au PLATING IN CONTACT
 - 50u" min NICKEL UNDERPLATING OVER ALL.
 - FITTING NAIL: 100u" MATTE-TIN PLATING OVER ALL,
 - 50u" NICKEL UNDERPLATING OVER ALL.
 - PART LEGEND: FPC-007-1336HX
 - Au PLATING
 - G:GOLD FLASH
 - 2:10u"

灌點位置示意圖

灌點(因穴號位置安排，故灌點會有在左邊或右邊兩種型式)



RECOMMEND P.C.B LAYOUT
GENERAL TOLERANCE ±0.05mm

GENERAL TOLERANCES (OTHERWISE SPECIFIED)	SCALE NONE	DESIGN UNITS MILIMETER	
4 PLS ±	DRAWN BY EDEN	DATE 2015-07-08	
3 PLS ±	CHECKED BY	DATE	TITLE
2 PLS ± 0.20	APPROVED BY	DATE	0.80 PITCH FPC EASY-ON 36CKT
1 PLS ± 0.25			RA SMT BOTTOM CONTACT H=1.8mm
ANGLES ± °	DRAWING NO. SD-FPC007-001	PART NO. FPC-007 SERIES	
QUALITY SYMBOLS	THIS DRAWING CONTAINS INFORMATION THAT IS PROPRIETARY TO VITECK CORP, LTD AND SHOULD NOT BE USED WITHOUT WRITTEN PERMISSION	THIRD ANGLE PROJECTION	DWG REV. 7
			SHEET NO. 1 OF 1
			SIZE

7

6

5

4

3

2

1

7

6

5

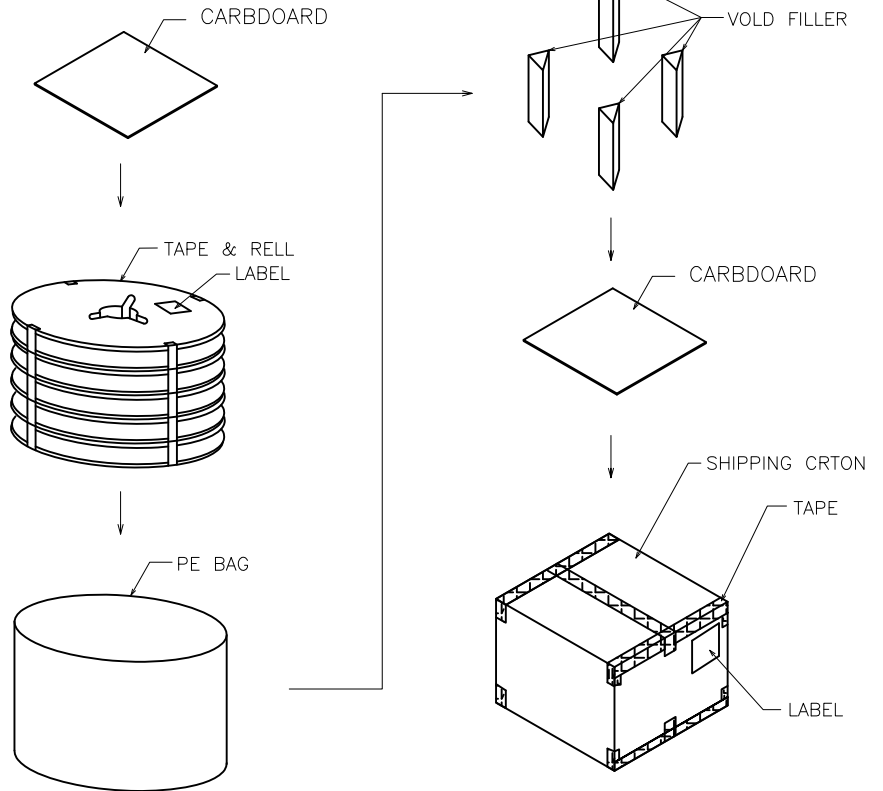
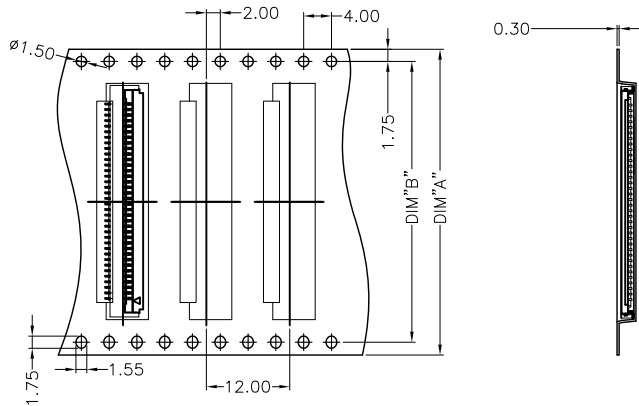
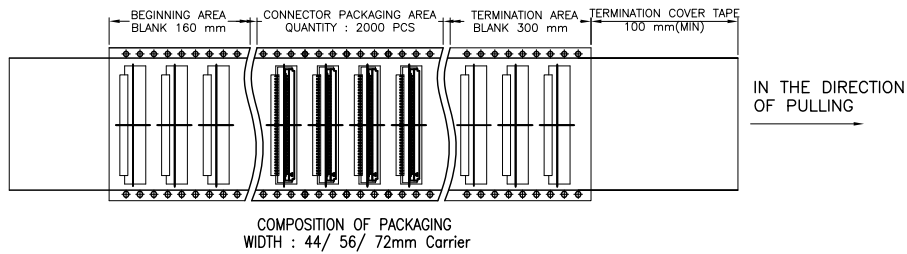
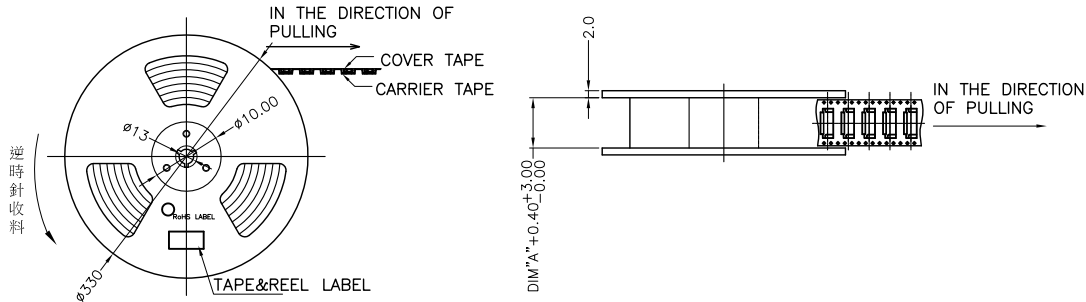
4

3

2

1

REVISIONS			
REV	DESCRIPTION	DWN	DATE
4	ECN2018010001	Aldo	2018/01/02



■ DIMENSION AND PACKING CAPACITY TABLE

NO. OF CONTACTS	DIMENSION		PACKING			CARTON
	A	B	RELL	REEL/CARTON	QUANTITY(PCS)	
12~17	32.00	28.40	2000	6	12000	370mm(L)X380mm(W)X255mm(H)
18~32	44.00	40.40	2000	5	10000	370mm(L)X380mm(W)X255mm(H)
33~47	56.00	52.40	2000	5	10000	370mm(L)X380mm(W)X340mm(H)
48~50	72.00	68.40	2000	4	8000	370mm(L)X380mm(W)X340mm(H)

GENERAL TOLERANCES (OTHERWISE SPECIFIED)	SCALE NONE	DESIGN UNITS MILIMETER
4 PLS ± 0.20	DRAWN BY Aldo	DATE 2014-05-19
3 PLS ± 0.20	CHECKED BY	DATE
2 PLS ± 0.20	APPROVED BY	DATE
1 PLS ± 0.25	DRAWING NO. SD-FPC007-001	PART NO. FPC-007 SERIES
ANGLES ± °	THIS DRAWING CONTAINS INFORMATION THAT IS PROPRIETARY TO VITECK CORP. LTD AND SHOULD NOT BE USED WITHOUT WRITTEN PERMISSION	
QUALITY SYMBOLS $\nabla \sqrt{0}$	THIRD ANGLE PROJECTION	

VITECK CO., LTD.			
TITLE 0.80 PITCH FPC EASY-ON 36CKT RA SMT BOTTOM CONTACT H=1.8mm			
PART NO. FPC-007 SERIES			
◎	THIRD ANGLE PROJECTION	DWG REV. 4	SHEET NO. 1 OF 1

6

5

4

3

2

1