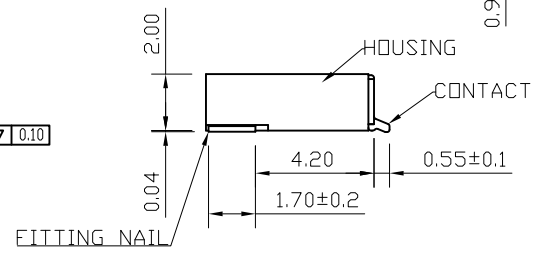
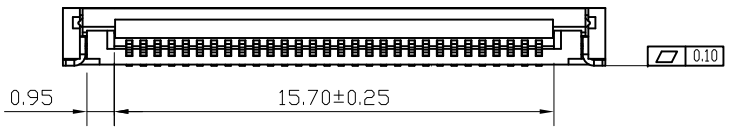
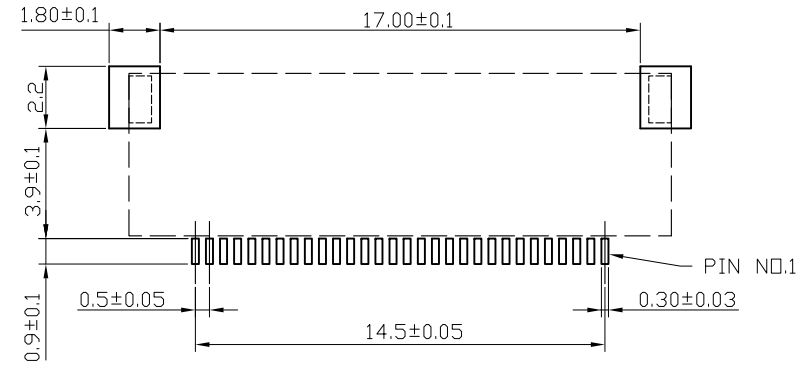
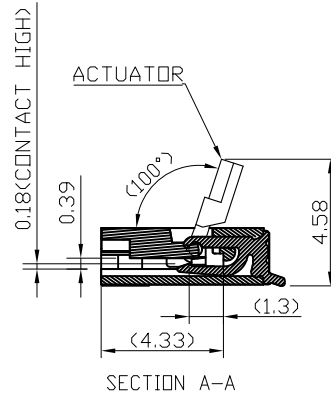
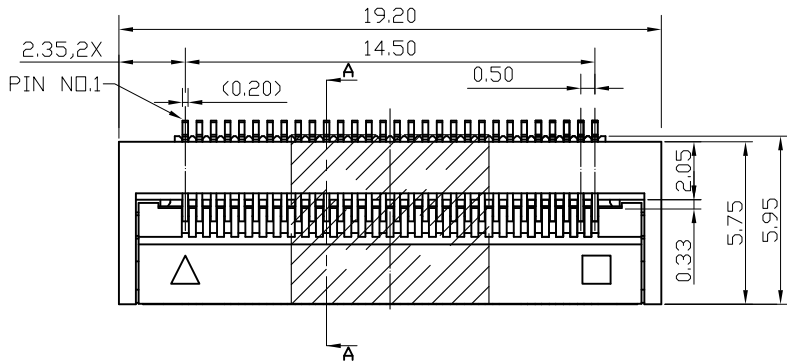
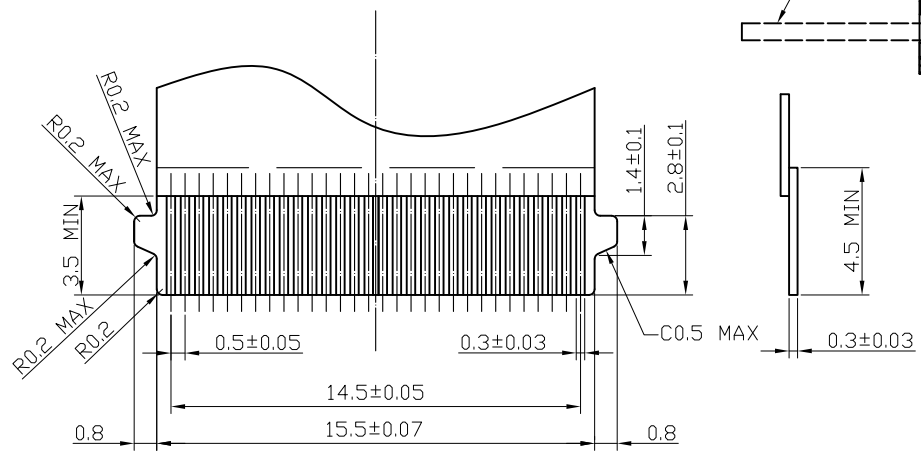


REVISIONS			
REV	DESCRIPTION	DWN	DATE
2	PROPOSAL	ALDD	2015/09/10



RECOMMENDED PBC LAYOUT

- NOTE:
- MATERIAL:
 - 1.1 HOUSING / ACTUATOR: HIGH TEMP. THERMAL PLASTIC (LCP), GLASS FIBER FILLED,UL94V-0. HOUSING COLOR: WHITE. ACTUATOR COLOR: BLACK.
 - 1.2 CONTACTS: PHOSPHOR BRONZE.
 - 1.3 FITTING NAIL: BRASS.
 - FINISH:
 - 2.1 CONTACT: Au PLATED ON CONTACT AREA. SEE TABLE. 50u" NICKEL UNDERPLATING OVERALL.
 - 2.2 FITTING NAIL: 100u" MATTE TIN PLATED OVERALL. 50u" NICKEL UNDERPLATING OVERALL.
 - ROSH AND HALOGEN FREE COMPLIANT.
 - MEET LEAD FREE PROCESS(IR REFLOW 260 DEGREE CENTIGRADE).



TABLE

V.T PART No.	Au PLATING
FPC-025-1230HG	GOLD FLASH
FPC-025-1230H2	Au 10u"

GENERAL TOLERANCES (OTHERWISE SPECIFIED)	SCALE	DESIGN UNITS
	NONE	MILIMETER
4 PLS ±	DRAWN BY ALDD	DATE 2015-09-10
3 PLS ±	CHECKED BY	DATE
2 PLS ± 0.20	APPROVED BY	DATE
1 PLS ± 0.25		
ANGLES ± °	DRAWING NO. SD-FPC025-001	PART NO. FPC-025 SERIES
QUALITY SYMBOLS ∇=0		



TITLE
0.50 PITCH FPC 30CKTS ZIF EASY-ON
RA SMT BOTTOM CONTACT H=2.00mm

7

6

5

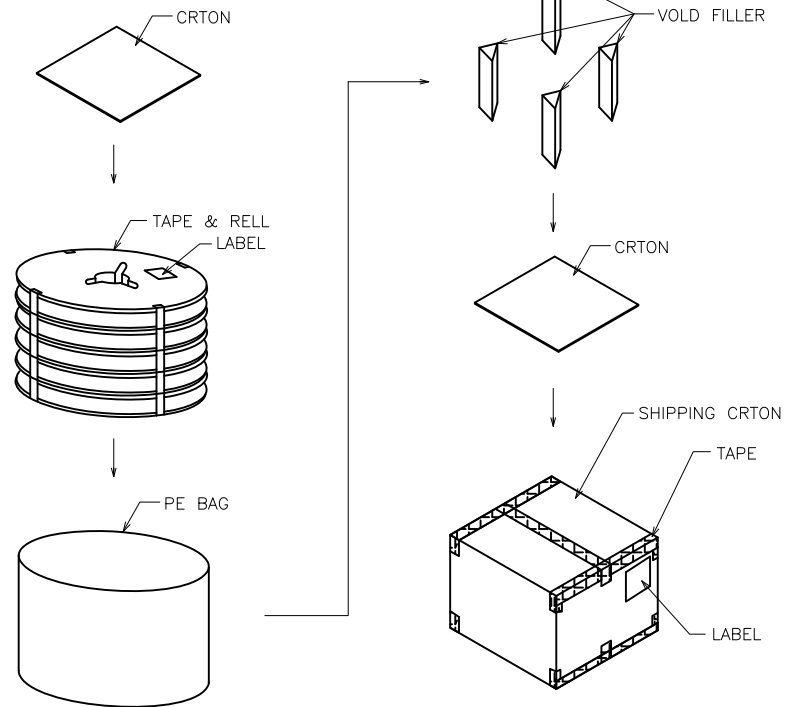
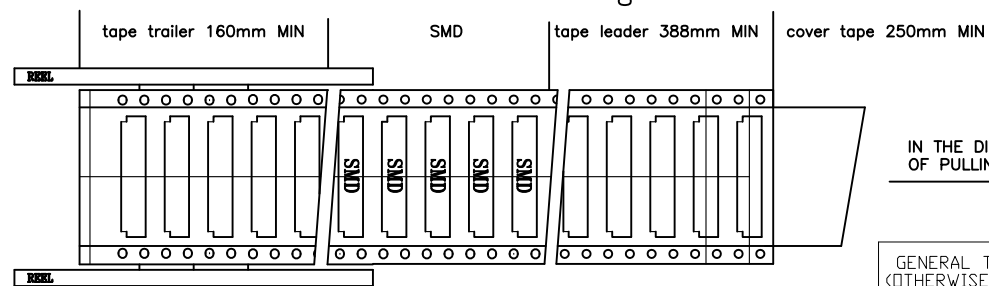
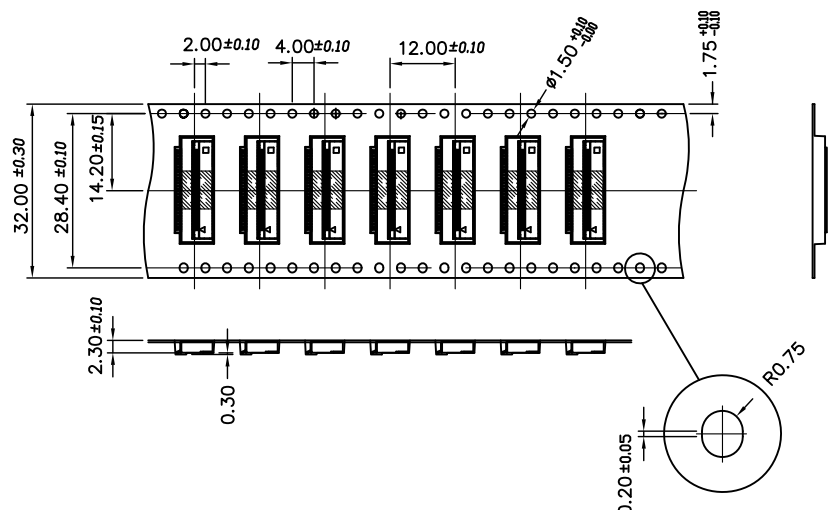
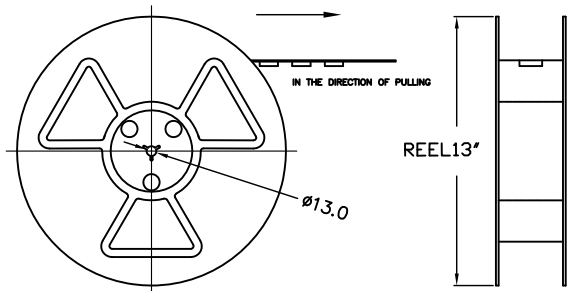
4

3

2

1

REVISIONS			
REV	DESCRIPTION	DWN	DATE



■ DIMENSION AND PACKING CAPACITY TABLE

V.T PART No.	PACKING			CARTON
	REEL	REEL/CARTON	QUANTITY(PCS)	
FPC-025 SERIES	2000	6	12000	370mm(L)X380mm(W)X255mm(H)

GENERAL TOLERANCES (OTHERWISE SPECIFIED)	SCALE NONE	DESIGN UNITS MILIMETER	
4 PLS ± mm	DRAWN BY EDEN	DATE 2015-04-27	
3 PLS ±	CHECKED BY	DATE	TITLE
2 PLS ± 0.25	APPROVED BY	DATE	0.50 PITCH FPC ZIF EASY-ON
1 PLS ± 0.25	DRAWING NO. PK-FPC025-001	PART NO. FPC-025 SERIES	RA SMT BOTTOM CONTACT H=2.00mm
ANGLES ± °			
QUALITY SYMBOLS			
THIS DRAWING CONTAINS INFORMATION THAT IS PROPRIETARY TO VITECK CORP, LTD AND SHOULD NOT BE USED WITHOUT WRITTEN PERMISSION			THIRD ANGLE PROJECTION DWG REV. 1 SHEET NO. 1 OF 1 SIZE

6

5

4

3

2

1