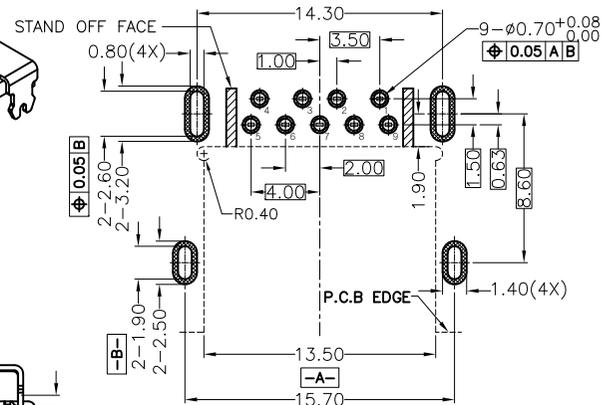
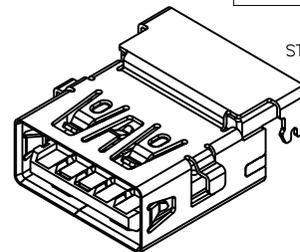
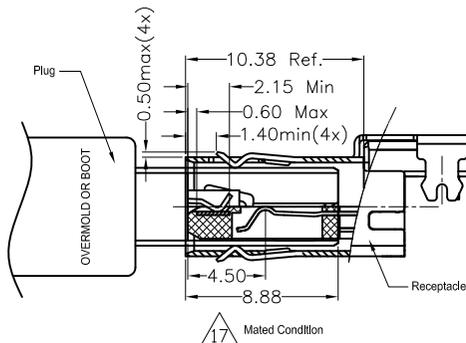
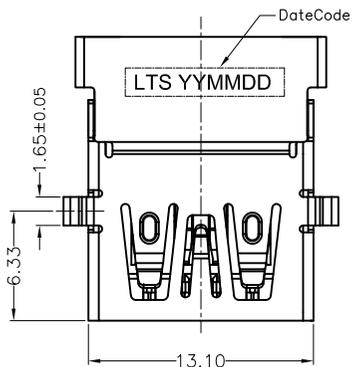
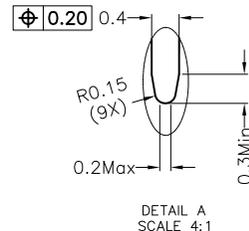
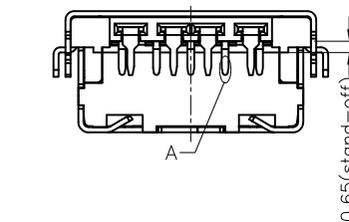
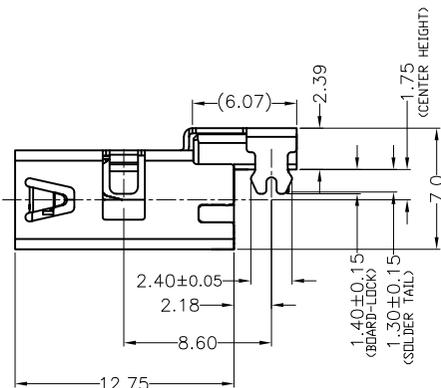
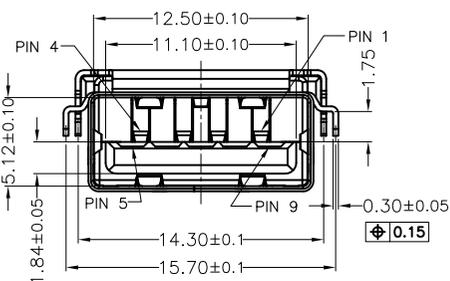


REVISIONS			
REV	DESCRIPTION	DWN	DATE
16	EN20170500001	ALDD	2017-05-06
17	ADD MATING DRAWING	JACK WU	2017-09-01

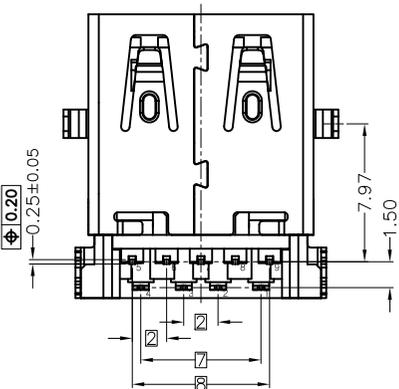


RECOMMENDED PCB LAYOUT  
 TOLERANCE: ±0.05mm  
 RECOMMENDED PCB THICKNESS: 1.20±0.05mm or 1.00mm



NOTE:

- MATERIAL:
  - HOUSING: HIGH TEMP. THERMAL PLASTIC  
GLASS FIBER FILLED,UL94V-0,COLOR:SEE TABLE
  - CONTACT: COPPER ALLOY
  - SHELL: STEEL
- FINISH:
  - CONTACT:
    - Au PLATED ON CONTACT AREA. SEE TABLE
    - 100u" MATTE Tin PLATING ON SOLDER AREA
    - NICKEL UNDERPLATING OVERALL
  - SHELL : NICKEL PLATING OVERALL
- DATE CODE: YY (YEAR), MM (MONTH) ,DD (DATE)
- ROHS AND HALOGEN FREE COMPLIANT



TABLE

V.T PART No.	Au PLATING	COLOR
A0148-00001	GOLD FLASH	BLACK
A0148-00002	Au 30u"	BLACK
A0148-10001	GOLD FLASH	BULE
A0148-10002	Au 30u"	BULE
A0148-10003	Au 2u"min + Ni-Pd30u"mir	BULE

Pin NUMBER	SIGNAL ASSIGNMENT
PIN1	VBUS
PIN2	D-
PIN3	D+
PIN4	GND
PIN5	StdA_SSRX-
PIN6	StdA_SSRX+
PIN7	GND_DRAIN
PIN8	StdA_SSTX-
PIN9	StdA_SSTX+

GENERAL TOLERANCES (OTHERWISE SPECIFIED)		SCALE	DESIGN UNITS
mm		1 : 1	MILIMETER
4 PLS ±	EDEN	DATE	
3 PLS ±		2015-07-01	
2 PLS ± 0.15	APPROVED BY	DATE	
1 PLS ± 0.25			
ANGLES ± °		DRAWING NO.	
QUALITY SYMBOLS		SD-A0148-001	
THIS DRAWING CONTAINS INFORMATION THAT IS PROPRIETARY TO VITECK CORP, LTD AND SHOULD NOT BE USED WITHOUT WRITTEN PERMISSION			



TITLE			
USB3.0 A TYPE RECEPTACLE REVERSE RIGHT ANGLE DIP C/H=1.75mm			
PART NO.			
A0148 SERIES			
DWG REV.	SHEET NO.	SIZE	
17	1 OF 1		

7

6

5

4

3

2

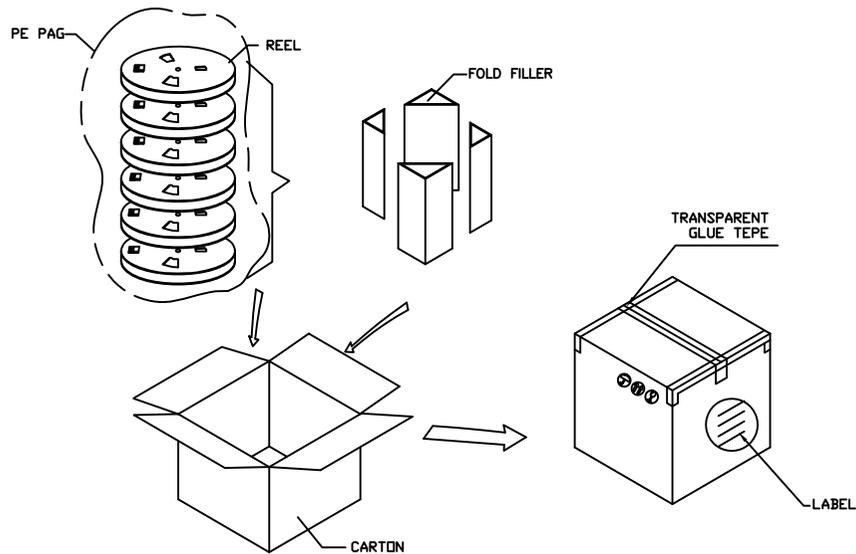
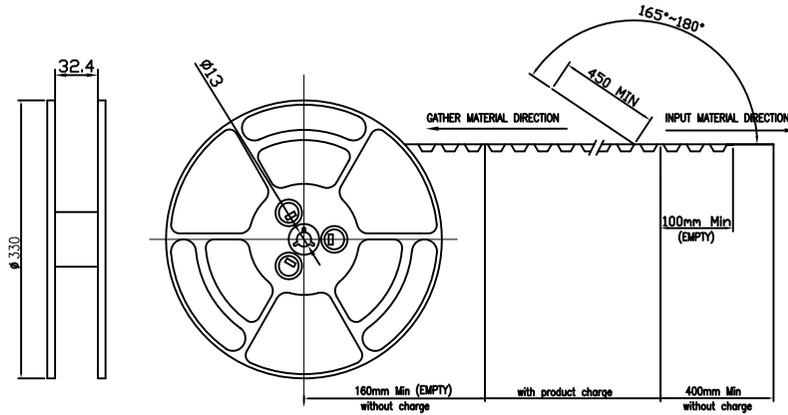
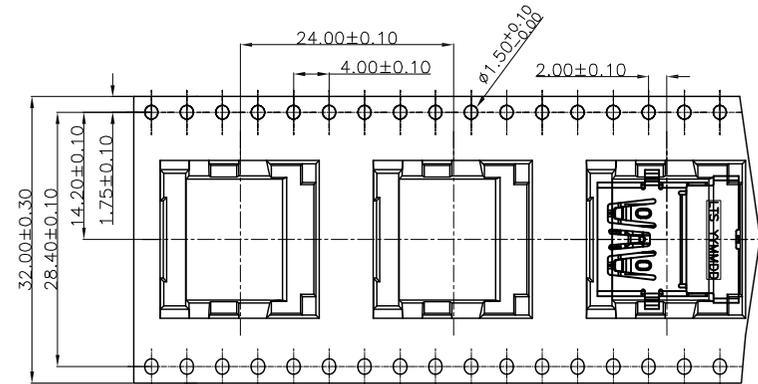
1

REVISIONS			
REV	DESCRIPTION	DWN	DATE
5	DEL P/N	ALDD	2015/11/18

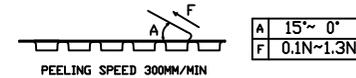
PARTS PER SHIPPING CARTON	PARTS PER REEL (S.P.Q.)	TOTAL REELS PER SHIPPING CARTON
2450(PCS)	350(PCS)	7

收料方向  
GATHER MATERIAL DIRECTION

客户放料方向  
INPUT MATERIAL DIRECTION



1.COVER TAPE PEELING FORCE:



2.PART DIMENSIONS MEET EIA-481-2-A REQUIREMENT

GENERAL TOLERANCES (OTHERWISE SPECIFIED)	SCALE NONE	DESIGN UNITS MILIMETER
4 PLS ±	DRAWN BY EDEN	DATE 2015-07-01
3 PLS ±	CHECKED BY	DATE
2 PLS ± 0.25	APPROVED BY	DATE
1 PLS ± 0.25		
ANGLES ± °	DRAWING NO. SD-A0148-001	PART NO. A0148 SERIES
QUALITY SYMBOLS $\nabla=0$		

VITECK CO., LTD.

TITLE  
USB3.0 A TYPE RECEPTACLE REVERSE  
RIGHT ANGLE DIP C/H=0.84mm

THIS DRAWING CONTAINS INFORMATION THAT IS PROPRIETARY TO VITECK CORP, LTD AND SHOULD NOT BE USED WITHOUT WRITTEN PERMISSION

THIRD ANGLE PROJECTION

DWG REV. 5 SHEET NO. 1 OF 1 SIZE

7

6

5

4

3

2

1