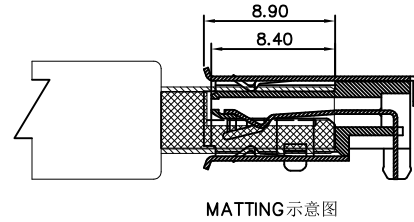
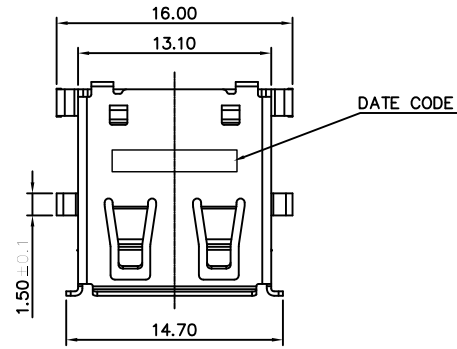
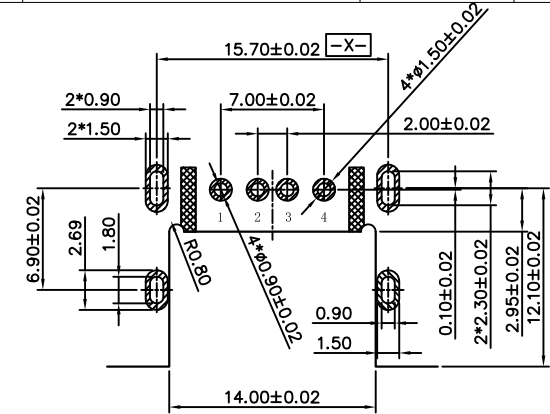


REVISIONS			
REV	DESCRIPTION	DWN	DATE
1	PROPOSAL	ALDD	2015-08-27
A	CHANG NICKEL PLATING 50u"	JACK WU	2015-11-13



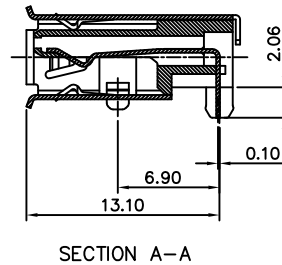
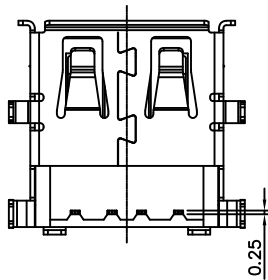
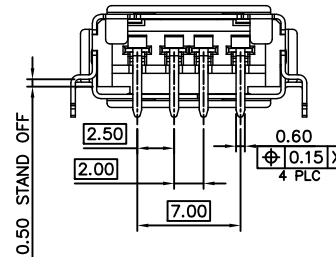
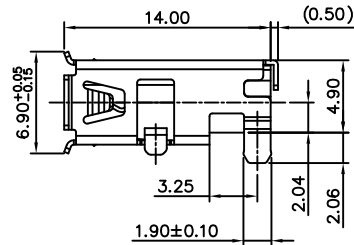
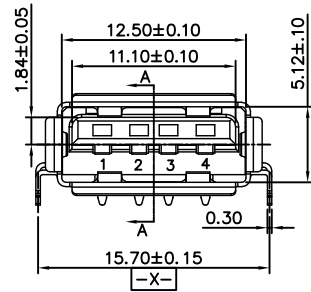
CONTACT NUMBER	SIGNAL NAME
PIN 1	VBUS
PIN 2	D-
PIN 3	D+
PIN 4	GND
SHELL	SHIELD



RECOMMEND P.C.B LAYOUT COMPONENT SIDE
P.C.B THICKNESS=1.20mm TOLERANCES ±0.05mm
(TOP VIEW)

NOTES:

- MATERIAL:
 - HOUSING: HIGH TEMP. THERMAL PLASTIC(LCP), GLASS FIBER FILLED,UL94V-0,COLOR:BLACK.
 - CONTACTS: PHOSPHOR BRONZE.
 - SHELL: SUS.
- FINISH:
 - CONTACT: Au PLATING ON CONTACT AREA, 100u"MIN. MATTE Tin PLATING ON SOLDER AREA, 50u"MIN. NICKEL UNDERPLATING OVERALL.
 - SHELL: 50u"MIN. NICKEL PLATING OVERALL.
 - DATE CODE: YY (YEAR), MM (MONTH), DD (DATE)
 - ROHS AND HALOGEN FREE COMPLIANT



GENERAL TOLERANCES (OTHERWISE SPECIFIED)	SCALE 1 : 1	DESIGN UNITS MILIMETER
4 PLS ±	DRAWN BY JACK WU	DATE 2015-11-13
3 PLS ± 0.15	CHECKED BY	DATE
2 PLS ± 0.20	APPROVED BY	DATE
1 PLS ± 0.30	DRAWING NO. SD-USB038-001	PART NO. USB-038-1S04HG
ANGLES ±3°	THIS DRAWING CONTAINS INFORMATION THAT IS PROPRIETARY TO VITECK CORP., LTD AND SHOULD NOT BE USED WITHOUT WRITTEN PERMISSION	
QUALITY SYMBOLS ▽=0	THIRD ANGLE PROJECTION	

VITECK CO., LTD.

TITLE
USB 2.0 A TYPE RECEPTACLE STANDARD
RIGHT ANGLE DIP C/H=2.04mm

DWG REV. A	SHEET NO. 1 OF 1	SIZE
---------------	---------------------	------

7

6

5

4

3

2

1

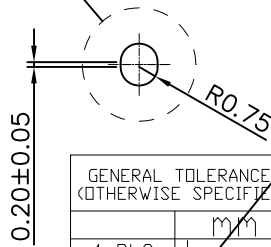
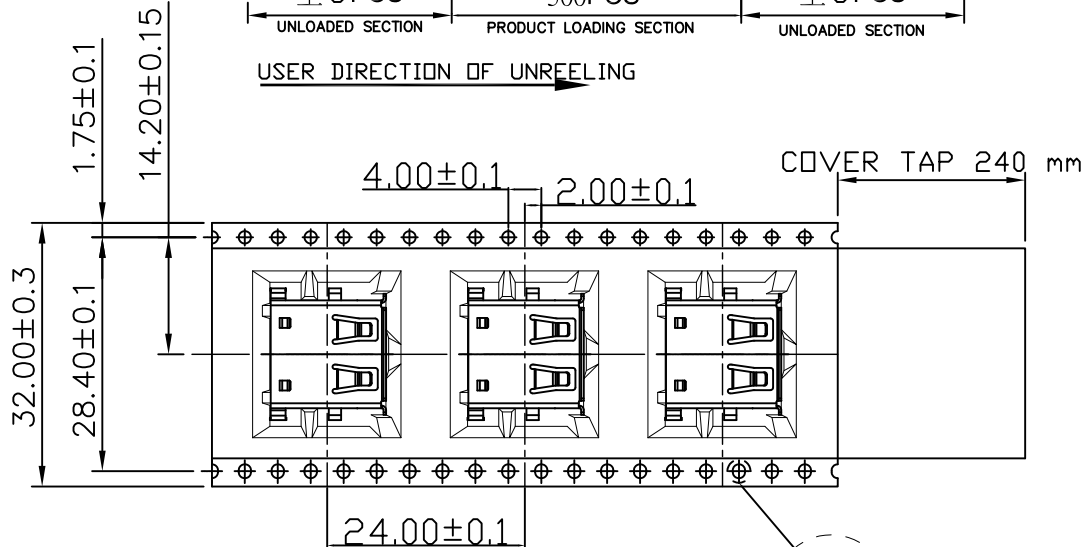
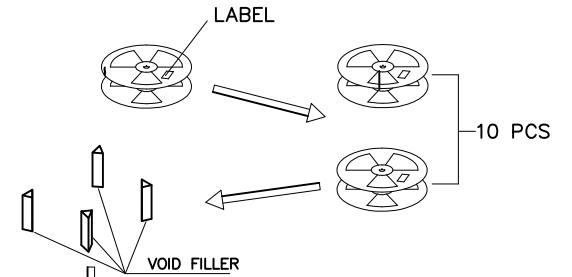
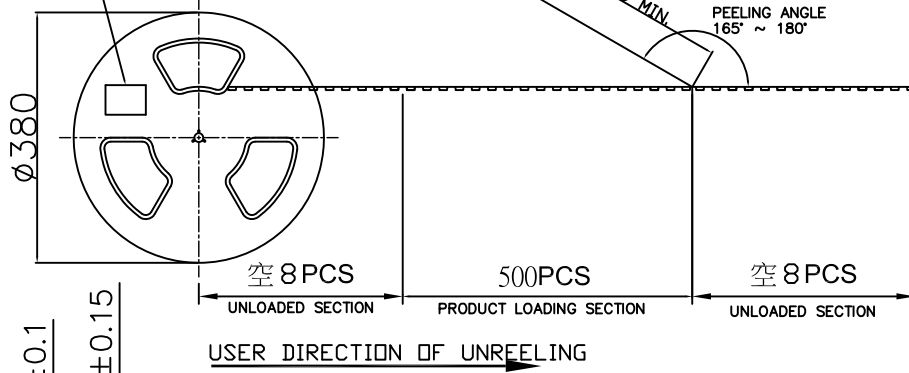
REVISIONS			
REV	DESCRIPTION	DWN	DATE
1	PROPOSAL	ALDO	2015-08-27

32.40

LABEL

400 MIN

PEELING ANGLE
165° ~ 180°



PRODUCT P/N	PARTS PER SHIPPING CARTON	PARTS PER REEL (S.P.Q.)	TOTAL REELS PER SHIPPING CARTON
USB-038-1S04HG	5000(PCS)	500(PCS)	10

GENERAL TOLERANCES (OTHERWISE SPECIFIED) mm 4 PLS ± 3 PLS ± 2 PLS ± 0.20 1 PLS ± 0.25 ANGLES ± ° QUALITY SYMBOLS $\nabla \sqrt{0}$	SCALE 1 : 1	DESIGN UNITS MILIMETER	VITECK CO., LTD. TITLE USB 2.0 A TYPE RECEPTACLE STANDARD RIGHT ANGLE DIP C/H=2.04mm PART NO. USB-038-1S04HG
	DRAWN BY ALDO	DATE 2015-08-27	
	CHECKED BY	DATE	
	APPROVED BY	DATE	
DRAWING NO. PK-USB038-001		DWG REV. 1	
THIS DRAWING CONTAINS INFORMATION THAT IS PROPRIETARY TO VITECK CORP, LTD AND SHOULD NOT BE USED WITHOUT WRITTEN PERMISSION		THIRD ANGLE PROJECTION	SHEET NO. 1 OF 1

6

5

4

3

2

1