

7

6

5

4

3

2

1

## REVISIONS

REV	DESCRIPTION	DWN	DATE
7	ADD MATING DRAWING	ALDO	2016-02-24

## NOTE:

## 1. MATERIAL:

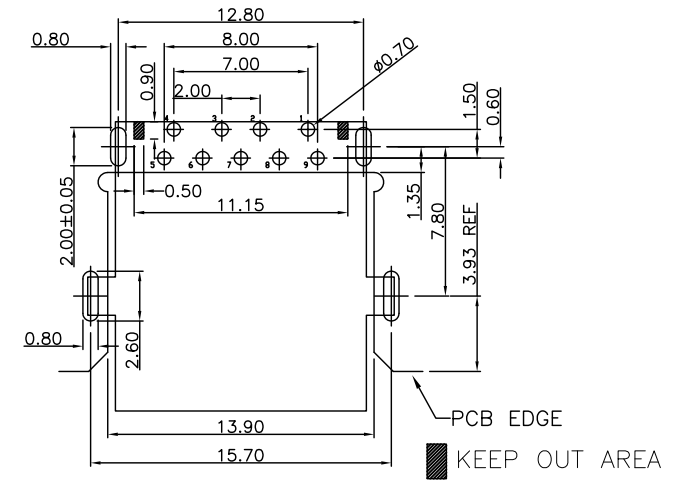
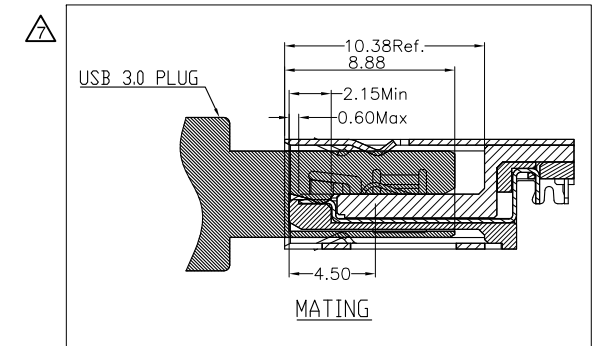
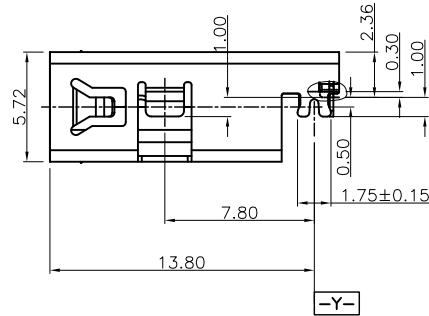
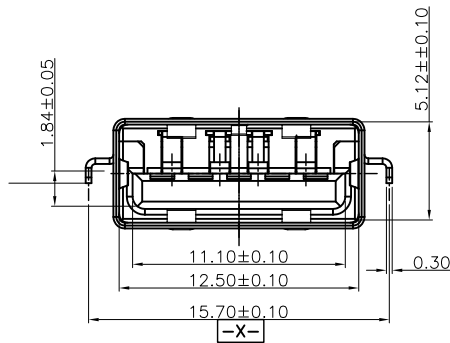
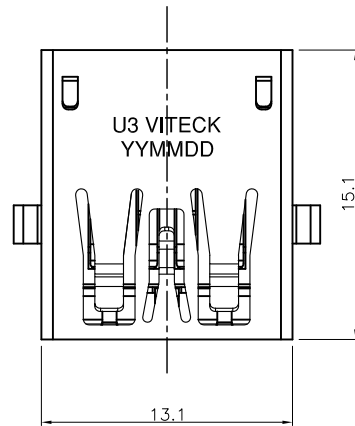
- 1.1 HOUSING: HIGH TEMP. THERMAL PLASTIC,  
GLASS FIBER FILLED,UL94V-0,COLOR: SEE NOTE 5.  
1.2 4PIN CONTACT: BRASS.  
1.3 5PIN CONTACT: PHOSPHOR BRONZE.  
1.3 SHELL: SK7.

## 2. FINISH:

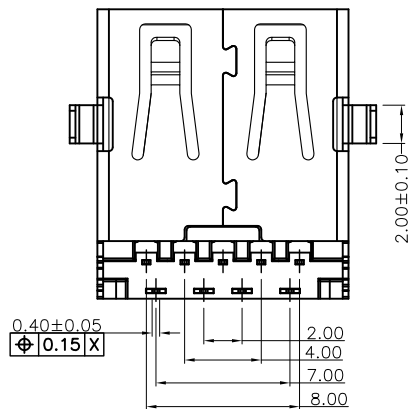
- 2.1 CONTACT:  
GOLD PLATING ON CONTACT AREA ,SEE NOTE 5  
80u"MIN. MATTE TIN PLATING ON SOLDER AREA,  
50u"MIN. NICKEL UNDERPLATING OVERALL.  
2.2 SHELL: 50u"MIN. NICKEL PLATING OVERALL.

- 3.DATE CODE: YY (YEAR), WW (MONTH) ,D (DATE) .  
4.ROHS AND HALOGEN FREE COMPLIANT.  
5.PART LEGEND: USB-036-XR09HX

- Au PLATING OF CONTACT AREA  
G : GOLD FLASH  
6 : Au 30u"  
COLOR  
1 : BLACK LCP  
2 : BLUE NY9T



RECOMMENDED PCB LAYOUT (TOP VIEW)  
GENERAL TOLERANCES:±0.05 (T=1.2)



Contact Number	Signal Name
PIN1	VBUS
PIN2	D-
PIN3	D+
PIN4	GND
PIN5	StdA_SSRX-
PIN6	StdA_SSRX+
PIN7	GND_DRAIN
PIN8	StdA_SSTX-
PIN9	StdA_SSTX+
Shell	Shield

GENERAL TOLERANCES (OTHERWISE SPECIFIED)		SCALE NONE	DESIGN UNITS MILIMETER	TITLE USB3.0 A TYPE RECEPTACLE REVERSE RIGHT ANGLE DIP C/H=0.50mm
4 PLS	±	DRAWN BY EDEN	DATE 2015-07-08	
3 PLS	±	CHECKED BY	DATE	
2 PLS	± 0.20	APPROVED BY	DATE	
1 PLS	± 0.30	DRAWING NO. SD-USB036-001		
ANGLES ± °		PART NO. USB-036 SERIES		
QUALITY SYMBOLS ▽=0		THIS DRAWING CONTAINS INFORMATION THAT IS PROPRIETARY TO VITECK CORP, LTD AND SHOULD NOT BE USED WITHOUT WRITTEN PERMISSION		
THIRD ANGLE PROJECTION		DWG REV. 7	SHEET NO. 1 OF 1	

VITECK CO., LTD.

0.40±0.05  
⌀0.15 X

6

5

4

3

2

1

7

6

5

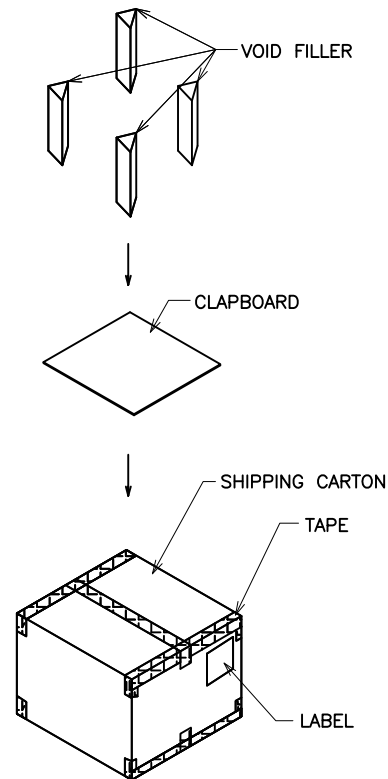
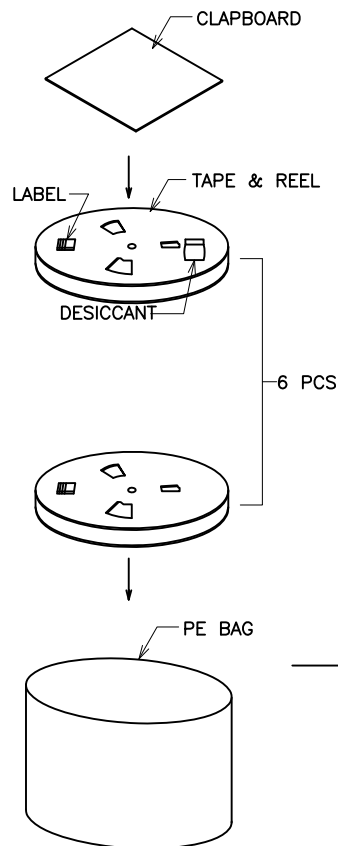
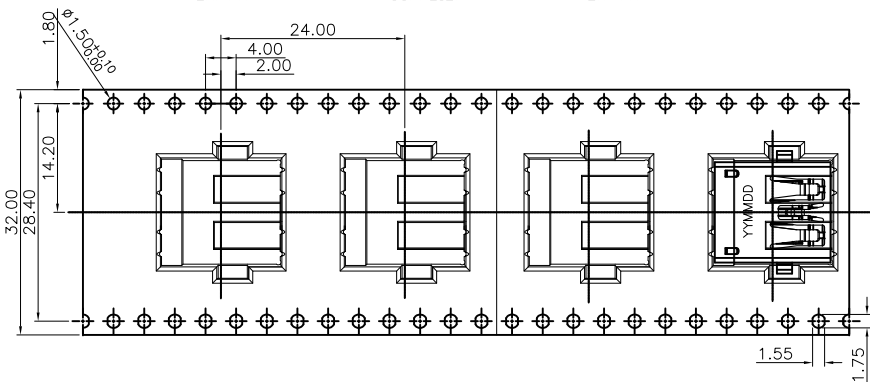
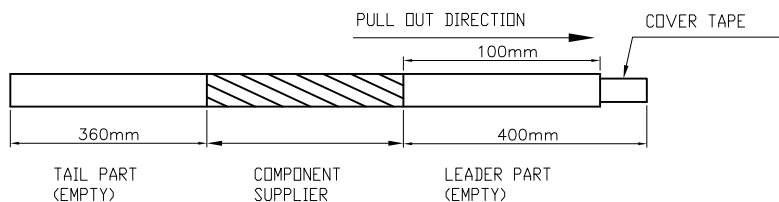
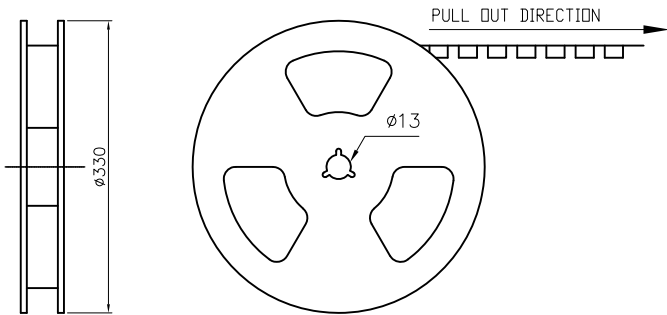
4

3

2

1

REVISIONS			
REV	DESCRIPTION	DWN	DATE
3	PROPOSAL	E DEN	2015-07-08



PRODUCT P/N	PARTS PER SHIPPING CARTON	PARTS PER REEL (S.P.Q.)	TOTAL REELS PER SHIPPING CARTON
USB-036 SERIES	2400PCS	400(PCS)	6

GENERAL TOLERANCES (OTHERWISE SPECIFIED)	SCALE 1 : 1	DESIGN UNITS MILIMETER
4 PLS ±	DRAWN BY EDEN	DATE 2015-07-08
3 PLS ±	CHECKED BY	DATE
2 PLS ± 0.20	APPROVED BY	DATE
1 PLS ± 0.30	DRAWING NO. PK-USB036-001	PART NO.
ANGLES ± °	THIS DRAWING CONTAINS INFORMATION THAT IS PROPRIETARY TO VITECK CORP, LTD AND SHOULD NOT BE USED WITHOUT WRITTEN PERMISSION	
QUALITY SYMBOLS $\nabla \sqrt{0}$	THIRD ANGLE PROJECTION	

**VITECK CO., LTD.**

TITLE  
 USB3.0 A TYPE RECEPTACLE REVERSE  
 RIGHT ANGLE DIP C/H=0.50mm

PART NO. USB-036 SERIES

DWG REV. 1	SHEET NO. 1 OF 1	SIZE
------------	------------------	------

7

6

5

4

3

2

1

7

6

5

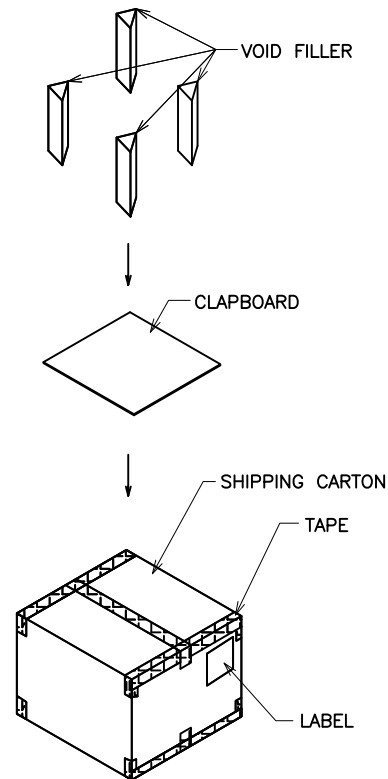
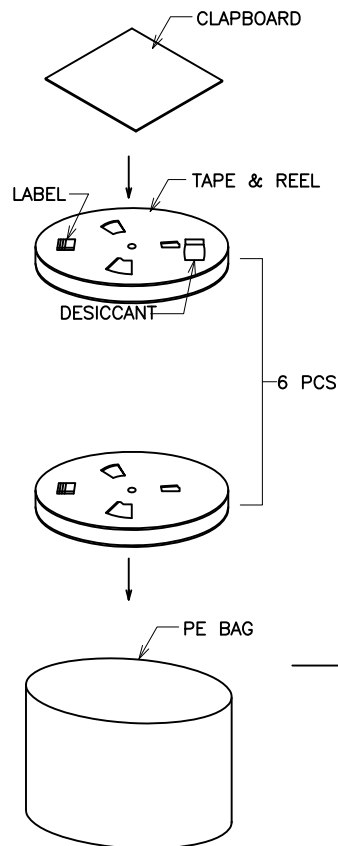
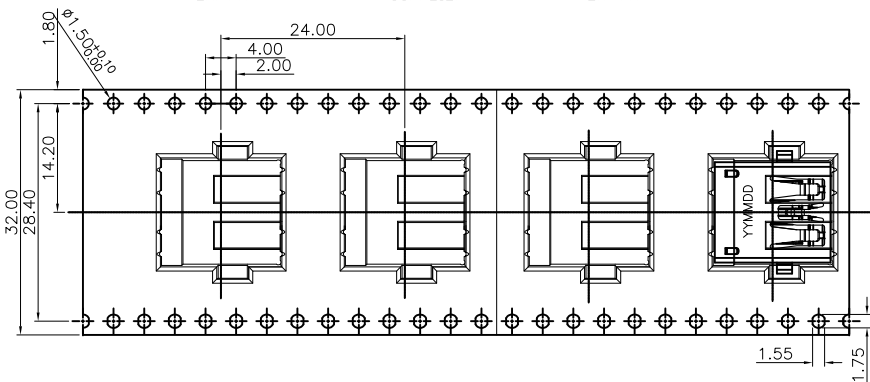
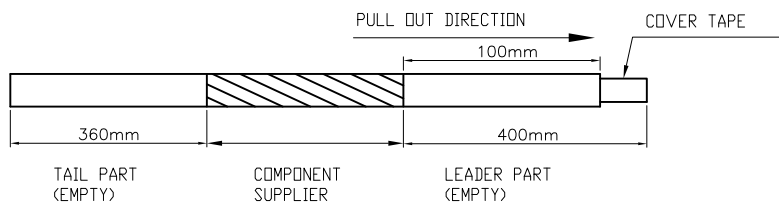
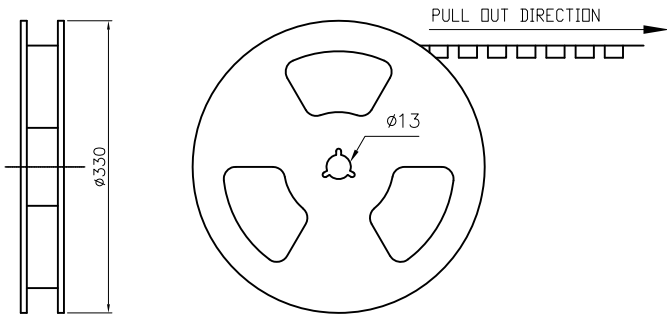
4

3

2

1

REVISIONS			
REV	DESCRIPTION	DWN	DATE
3	PROPOSAL	E DEN	2015-07-08



PRODUCT P/N	PARTS PER SHIPPING CARTON	PARTS PER REEL (S.P.Q.)	TOTAL REELS PER SHIPPING CARTON
USB-036 SERIES	2400PCS)	400(PCS)	6

GENERAL TOLERANCES (OTHERWISE SPECIFIED)	SCALE 1 : 1	DESIGN UNITS MILIMETER
4 PLS ±	DRAWN BY EDEN	DATE 2015-07-08
3 PLS ±	CHECKED BY	DATE
2 PLS ± 0.20	APPROVED BY	DATE
1 PLS ± 0.30	DRAWING NO. PK-USB036-001	PART NO.
ANGLES ± °		
QUALITY SYMBOLS $\nabla \sqrt{0}$		

**VITECK CO., LTD.**

TITLE  
 USB3.0 A TYPE RECEPTACLE REVERSE  
 RIGHT ANGLE DIP C/H=0.50mm

PART NO. USB-036 SERIES

THIS DRAWING CONTAINS INFORMATION THAT IS PROPRIETARY TO VITECK CORP, LTD AND SHOULD NOT BE USED WITHOUT WRITTEN PERMISSION

THIRD ANGLE PROJECTION

DWG REV. 1	SHEET NO. 1 OF 1	SIZE
------------	------------------	------

7

6

5

4

3

2

1