

7

6

5

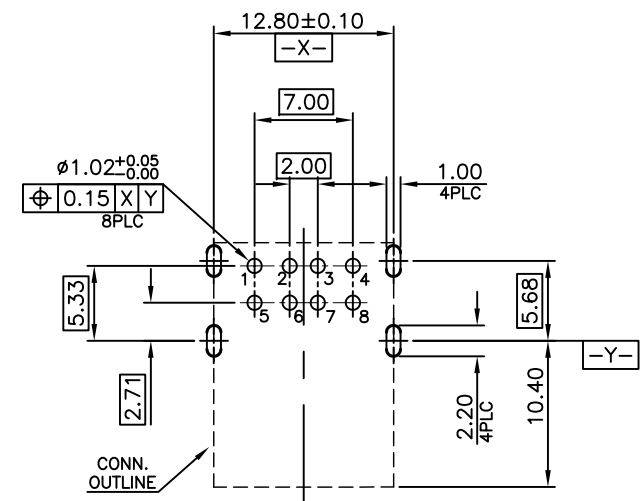
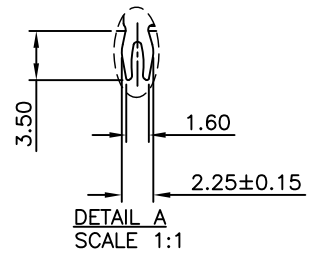
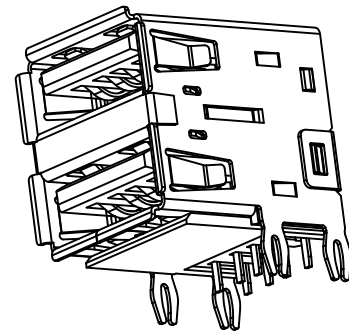
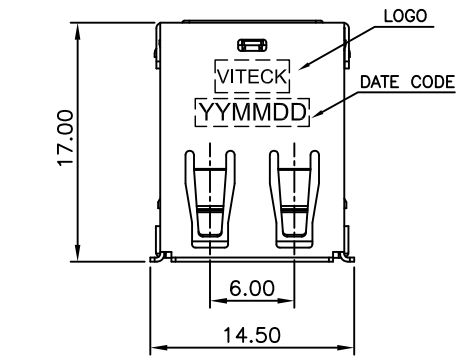
4

3

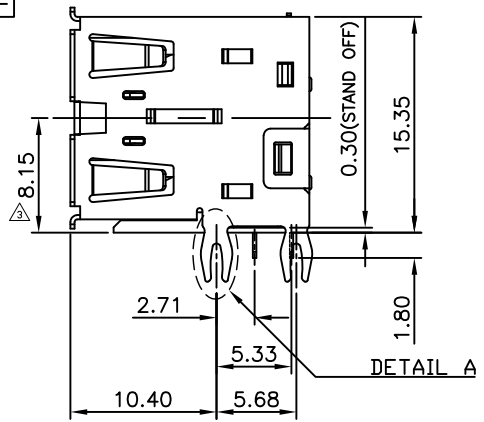
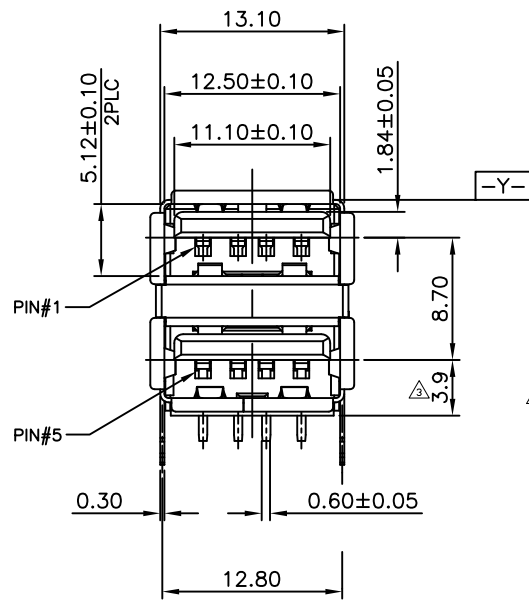
2

1

REVISIONS			
REV	DESCRIPTION	DWN	DATE
3	PROPOSAL	E DEN	2015-03-18



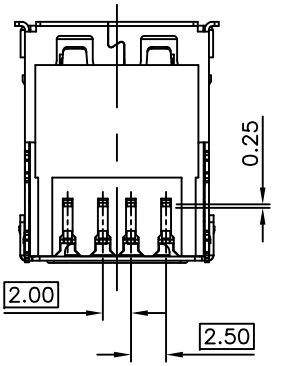
RECOMMEND P.C.B. LAYOUT  
TOP VIEW(TOLERANCE:±0.05)



NOTES:

- MATERIAL:
  - HOUSING: HIGH TEMP. THERMAL PLASTIC(LCP), GLASS FIBER FILLED,UL94V-0, COLOR:BLACK.
  - CONTACT: PHOSPHOR BRONZE
  - SHELL: SK7.
- FINISH:
  - CONTACT:
    - Au PLATING ON CONTACT AREA, SEE NOTES, 100u\*MIN. MATTE TIN PLATING ON SOLDER AREA, 50u\*MIN. NICKEL UNDERPLATING OVERALL.
    - SHELL: 100u\*MIN. NICKEL PLATING OVERALL. 50u\*MIN. MATTE TIN PLATING ON SOLDER AREA,
  - DATE CODE: YY (YEAR), MM (MONTH), DD (DATE)
  - ROHS AND HALOGEN FREE COMPLIANT
  - PART LEGEND: USB-013-1S08HX

- └ Au PLATING ON CONTACT AREA
- G : GOLD FLASH
- 1 : Au 5u\*
- 2 : Au10u\*
- 6 : Au30u\*



GENERAL TOLERANCES (OTHERWISE SPECIFIED)		SCALE 1 : 1	DESIGN UNITS MILIMETER
4 PLS	±	DRAWN BY EDEN	DATE 2015-03-18
3 PLS	±	CHECKED BY	DATE
2 PLS	± 0.20	APPROVED BY	DATE
1 PLS	± 0.25		
ANGLES	± °	DRAWING NO. SD-USB013-001	PART NO. USB-013 SERIES
QUALITY SYMBOLS	▽=0		

**VITECK CO., LTD.**

TITLE  
USB 2.0 A TYPE RECEPTACLE DUAL  
RIGHT ANGLE DIP H=15.35mm

THIS DRAWING CONTAINS INFORMATION THAT IS PROPRIETARY TO VITECK CORP, LTD AND SHOULD NOT BE USED WITHOUT WRITTEN PERMISSION

THIRD ANGLE PROJECTION

DWG REV. 3	SHEET NO. 1 OF 1	SIZE
---------------	---------------------	------

6

5

4

3

2

1

7

6

5

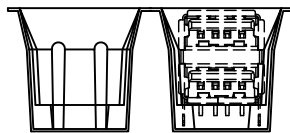
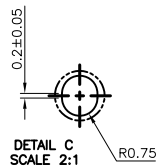
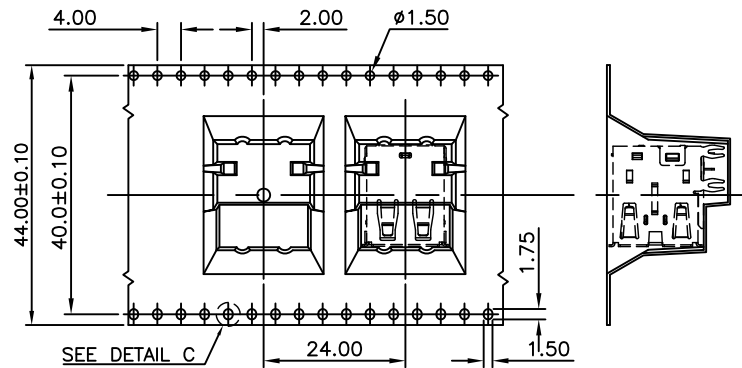
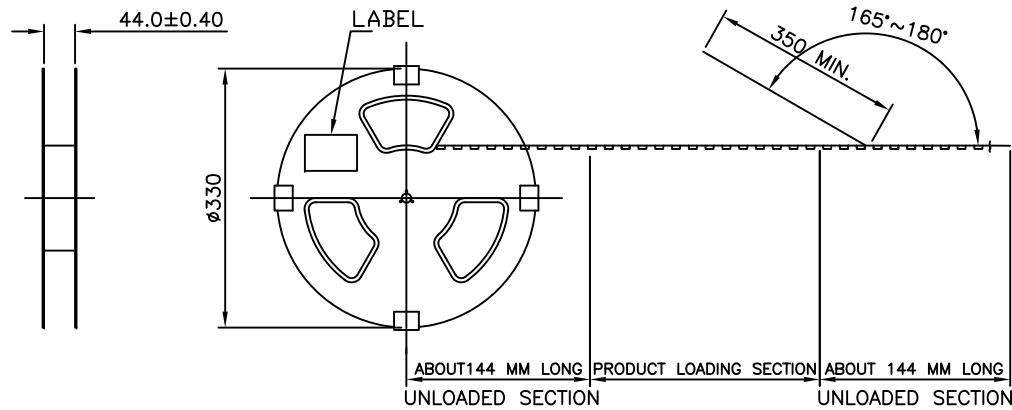
4

3

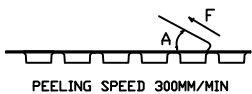
2

1

REVISIONS			
REV	DESCRIPTION	DWN	DATE
1	PROPOSAL	MAX	2014-06-25

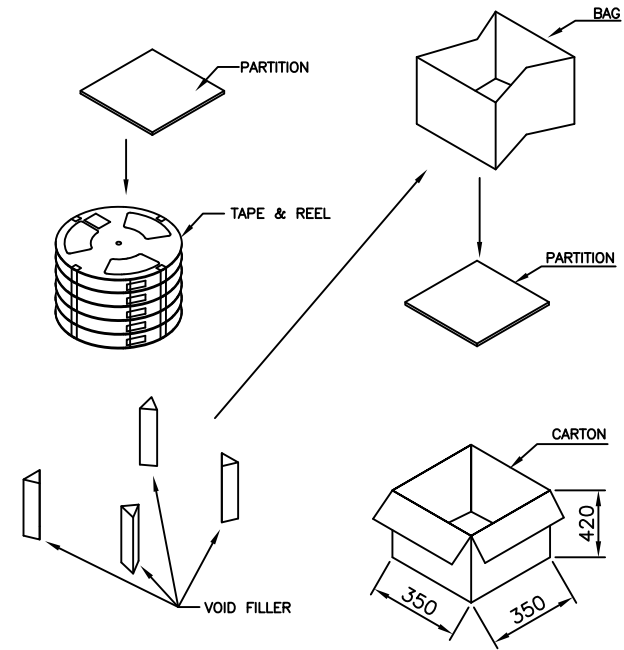


1. COVER TAPE PEELING FORCE:



A	$15^\circ \sim 0^\circ$
F	$0.1\text{N} \sim 1.3\text{N}$

2. PART DIMENSIONS MEET EIA-481-2-A REQUIREMENT



PRODUCT P/N	PARTS PER SHIPPING CARTON	PARTS PER REEL (S.P.Q.)	TOTAL REELS PER SHIPPING CARTON
USB-013 SERIES	960(PCS)	120(PCS)	8

GENERAL TOLERANCES (OTHERWISE SPECIFIED)	SCALE 1 : 1	DESIGN UNITS MILIMETER
4 PLS $\pm$	DRAWN BY MAX	DATE 2014-06-25
3 PLS $\pm$	CHECKED BY	DATE
2 PLS $\pm 0.20$	APPROVED BY	DATE
1 PLS $\pm 0.25$		
ANGLES $\pm$ °		
QUALITY SYMBOLS $\nabla = 0$	DRAWING NO. PK-USB013-001	PART NO. USB-013 SERIES

VITECK CO., LTD.

TITLE  
USB 2.0 A TYPE RECEPTACLE DUAL  
RIGHT ANGLE DIP H=15.35mm

THIS DRAWING CONTAINS INFORMATION THAT IS PROPRIETARY TO VITECK CORP., LTD AND SHOULD NOT BE USED WITHOUT WRITTEN PERMISSION

THIRD ANGLE PROJECTION

DWG REV. 1	SHEET NO. 1 OF 1	SIZE
---------------	---------------------	------

6

5

4

3

2

1

7

6

5

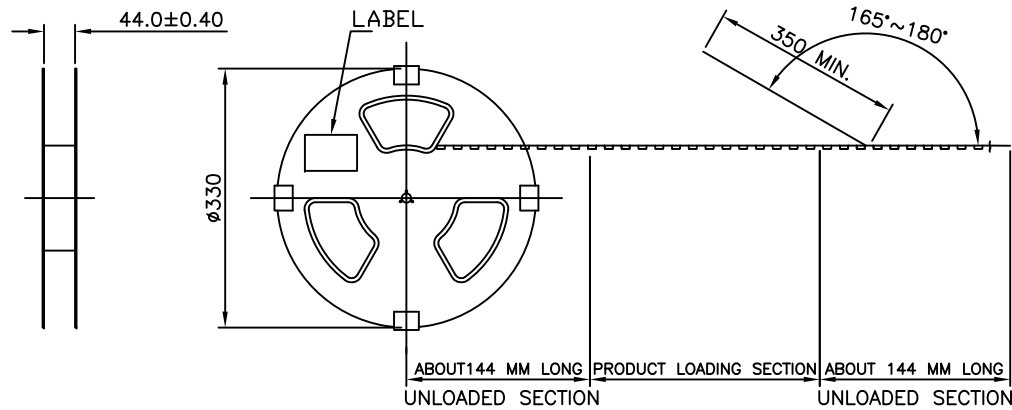
4

3

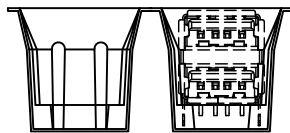
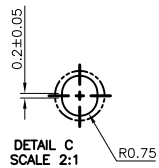
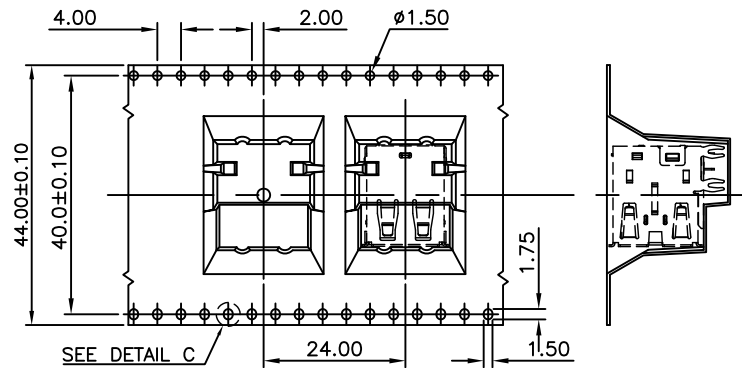
2

1

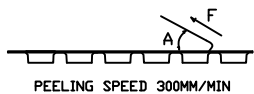
REVISIONS			
REV	DESCRIPTION	DWN	DATE
1	PROPOSAL	MAX	2014-06-25



TOP OF TAPE

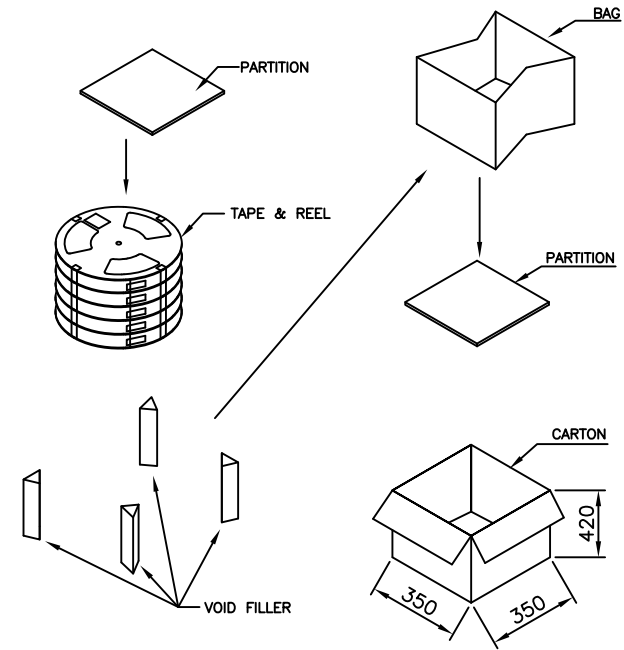


1. COVER TAPE PEELING FORCE:



A	$15^\circ \sim 0^\circ$
F	$0.1N \sim 1.3N$

2. PART DIMENSIONS MEET EIA-481-2-A REQUIREMENT



PRODUCT P/N	PARTS PER SHIPPING CARTON	PARTS PER REEL (S.P.Q.)	TOTAL REELS PER SHIPPING CARTON
USB-013 SERIES	960(PCS)	120(PCS)	8

GENERAL TOLERANCES (OTHERWISE SPECIFIED)		SCALE	DESIGN UNITS
4 PLS	$\pm$	1 : 1	MILIMETER
3 PLS	$\pm$		
2 PLS	$\pm 0.20$		
1 PLS	$\pm 0.25$		
ANGLES			
$\pm$			
QUALITY SYMBOLS			
$\nabla = 0$			

DRAWN BY	MAX	DATE	2014-06-25
CHECKED BY		DATE	
APPROVED BY		DATE	
DRAWING NO.	PK-USB013-001		

VITECK CO., LTD.

TITLE  
USB 2.0 A TYPE RECEPTACLE DUAL  
RIGHT ANGLE DIP H=15.35mm

PART NO.  
USB-013 SERIES

THIS DRAWING CONTAINS INFORMATION THAT IS PROPRIETARY TO VITECK CORP., LTD AND SHOULD NOT BE USED WITHOUT WRITTEN PERMISSION

THIRD ANGLE PROJECTION

DWG. REV.	SHEET NO.	SIZE
1	1 OF 1	

6

5

4

3

2

1