

7

6

5

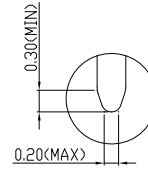
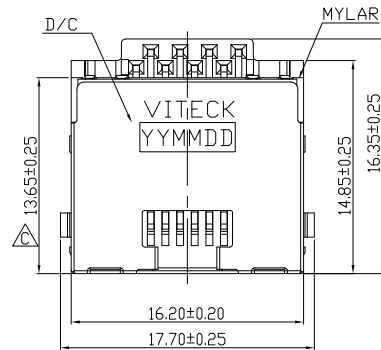
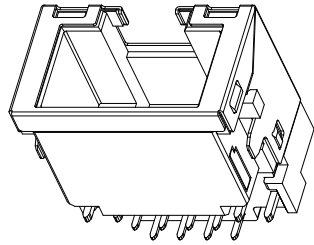
4

3

2

1

REVISIONS			
REV	DESCRIPTION	DWN	DATE
B	FIX LAYOUT	JACK WU	2016-12-05
C	ADD DIM.	JACK WU	2016-12-07



VIEW A SCALE 5:1

NOTES:

1.MATERIAL:

1-1-HOUSING:PA10T+35%GF;UL 94V-0,
COLOR:BLACK

1-2-TERMINAL:PHOSPHOR BRONZE;T=0.25mm

TREATMENT:

GOLD ON CONTACT AREA,MATTE SN 50μ' MIN
ON SOLDER TAIL,ALL OVER NI 30μ' MIN.

1-3-SHELL:SUS(201);T=0.20mm,TREATMENT:50μ' NI

1-4-LED:GREEN/AMBER,TREATMENT:TIN

1-5-STOPPLE:LCP;UL 94V-0,COLOR:BLACK

1-6-DEFEND :LCP;UL 94V-0,COLOR:BLACK

1-7-MYLAR:YELLOW

2.SPECIFICATIONS:

2-1.VOLTAGE RATING:150VAC MAX.

2-2.CURRENT RATING:1.5AMP MAX.

2-3.INSULATION RESISTANCE:500MΩ MIN. AT 500V DC.

2-4.DIELECTRIC WITHSTANDING VOLTAGE:

500V AC 60HZ 1MINUTE.

2-5.DURABILITY:5000 CYCLES.

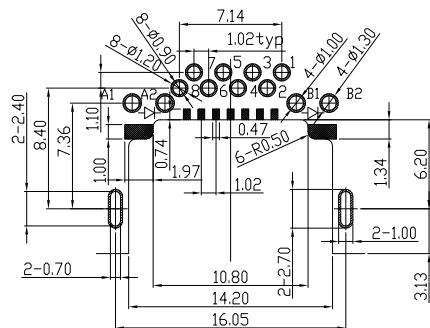
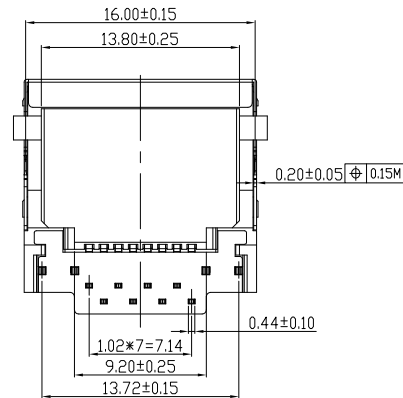
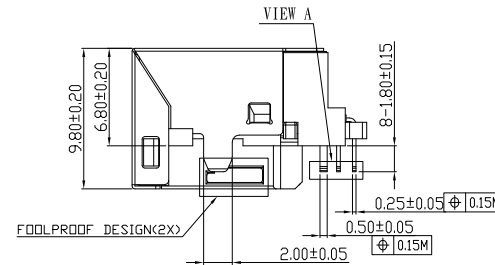
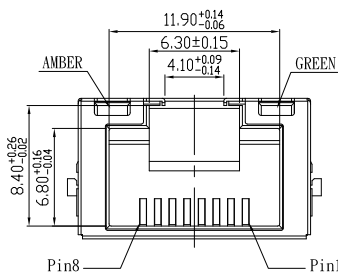
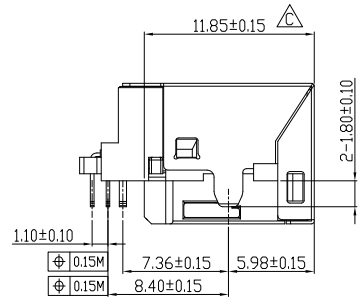
2-6.OPERATING TEMPERATURE:-30°C TO+70°C.

2-7.FOR REFLOW SOLDERING LEAD-FREE PROCESS.

3.PART NUMBER:

RJN-033-1L12HX

— GOLD PLATED ON CONTACT AREA
G:GOLD FLASH
6:30μ' GOLD



RECOMMENDED PCB LAYOUT
TOLERANCE:±0.05mm
RECOMMENDED PCB THICKNESS:1.20±0.05

GENERAL TOLERANCES (OTHERWISE SPECIFIED)		SCALE NONE	DESIGN UNITS MILIMETER			
4 PLS	±	DRAWN BY JACK WU	DATE 2016-12-07		TITLE	
3 PLS	±	CHECKED BY	DATE	RJ45 RIGHT ANGLE STD DIP TYPE H=6.80mm, WITH LED		
2 PLS	± 0.20	APPROVED BY	DATE			
1 PLS	± 0.30					
ANGLES	± °	DRAWING NO. SD-RJN033-001		PART NO. RJN-033-1L12HX		
QUALITY SYMBOLS		THIS DRAWING CONTAINS INFORMATION THAT IS PROPRIETARY TO VITECK CORP., LTD AND SHOULD NOT BE USED WITHOUT WRITTEN PERMISSION		THIRD ANGLE PROJECTION		
				DWG REV. C	SHEET NO. 1 OF 1	SIZE

7

6

5

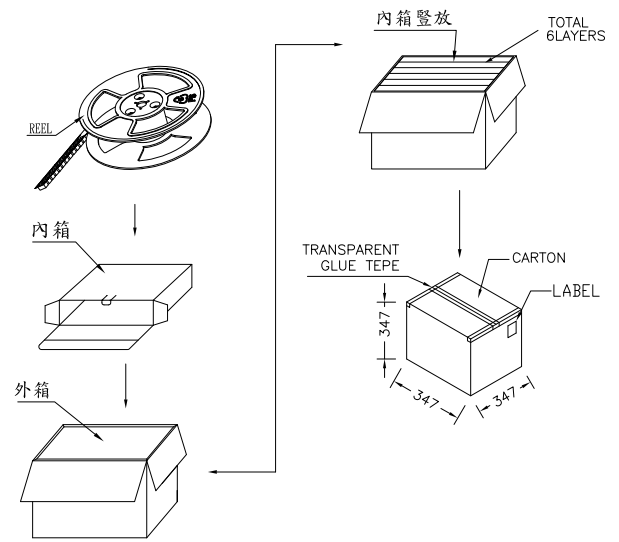
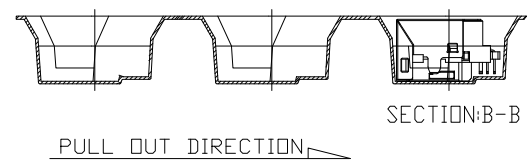
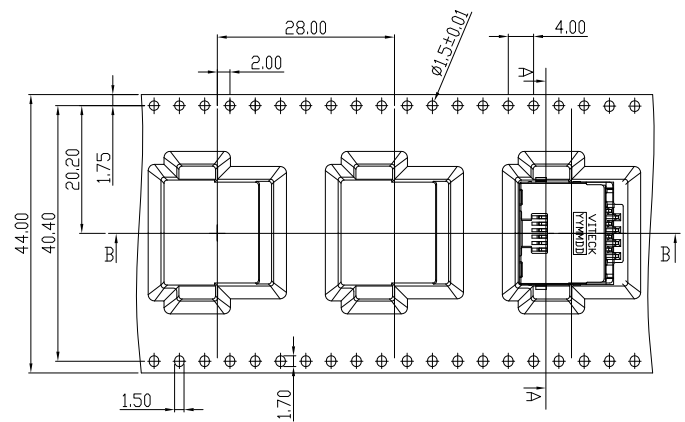
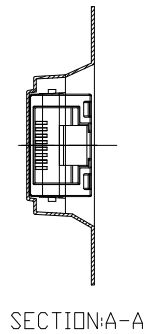
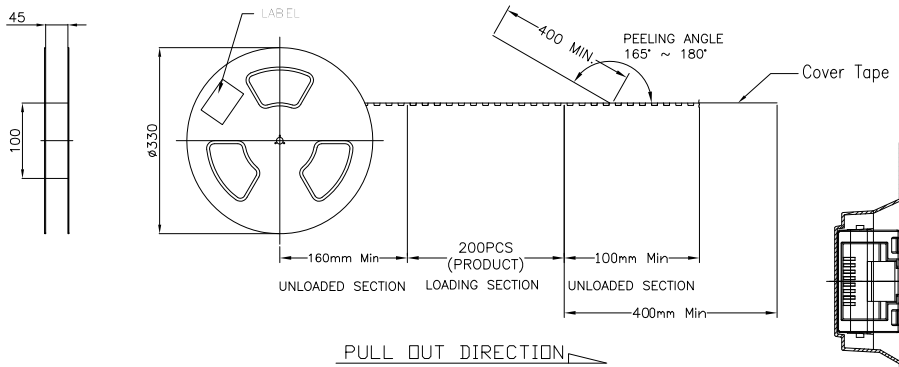
4

3

2

1

REVISIONS			
REV	DESCRIPTION	DWN	DATE
A	RFQ-16-142	JACK WU	2016-12-13



PARTS PER SHIPPING CARTON	PARTS PER REEL (S.P.Q.)	TOTAL REELS PER SHIPPING CARTON
1200(PCS)	200(PCS)	6

GENERAL TOLERANCES (OTHERWISE SPECIFIED)		SCALE NONE	DESIGN UNITS MILIMETER	
4 PLS	±	DRAWN BY JACK WU	DATE 2016-12-13	
3 PLS	±	CHECKED BY	DATE	PART NO. RJN-033-1L12HX
2 PLS	±	APPROVED BY	DATE	
1 PLS	±	DRAWING NO. PK-RJN033-001		
ANGLES ± °		THIS DRAWING CONTAINS INFORMATION THAT IS PROPRIETARY TO VITECK CORP., LTD AND SHOULD NOT BE USED WITHOUT WRITTEN PERMISSION		THIRD ANGLE PROJECTION
QUALITY SYMBOLS 		DWG REV. A		SHEET NO. 1 OF 1
				SIZE