

7

6

5

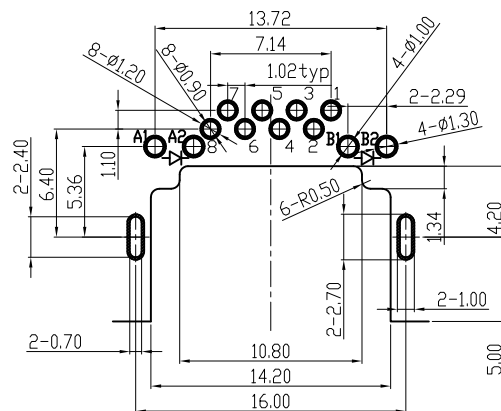
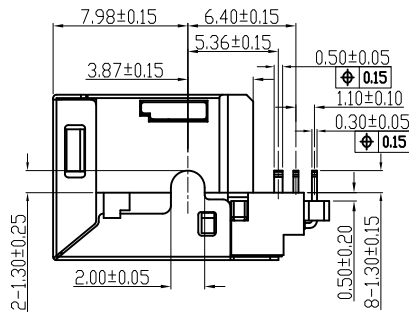
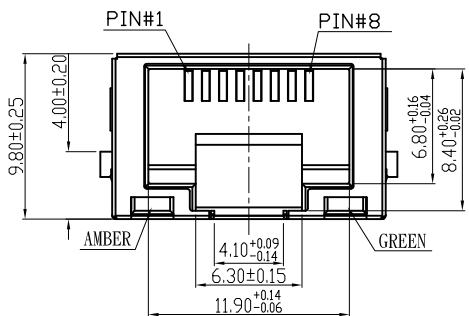
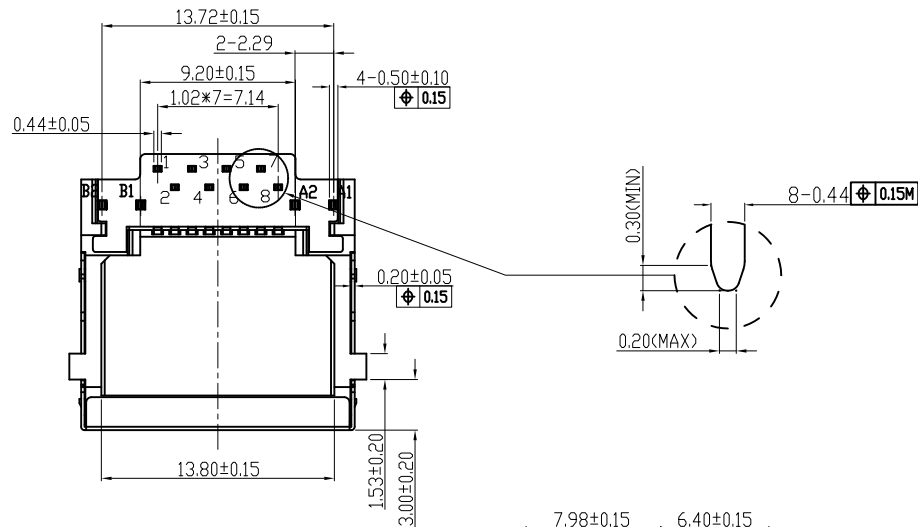
4

3

2

1

REVISIONS			
REV	DESCRIPTION	DWN	DATE
6	PROPOSAL	EDEN	2015-06-16



RECOMMENDED PCB LAYOUT
TOLERANCE:±0.05mm, THICKNESS:1.20±0.05

NOTE:

1. MATERIAL:

- 1.1 HOUSING: HIGH TEMP. THERMAL PLASTIC, Nylon(PA10T)
GLASS FIBER FILLED, UL94V-0, COLOR:BLACK.
- 1.2 CONTACT: PHOSPHOR BRONZE.
- 1.3 SHELL: STAINLESS STEEL.
- 1.4 STOPPLE/DEFEND: HIGH TEMP. THERMAL PLASTIC, LCP
GLASS FIBER FILLED, UL94V-0, COLOR:BLACK.
- 1.5 LED: GREEN/AMBER, TREATMENT:TIN.
- 1.6 MYLAR:YELLOW

2. FINISH:

- 2.1 CONTACT:
GOLD PLATING ON CONTACT AREA, SEE NOTE 5
50u*MIN. MATTE TIN PLATING ON SOLDER AREA,
30u*MIN. NICKEL UNDERPLATING OVERALL.
- 2.2 SHELL: 50u*MIN. NICKEL PLATING OVERALL.

3. DATE CODE: YY (YEAR), MM (WEEK), D (DATE).

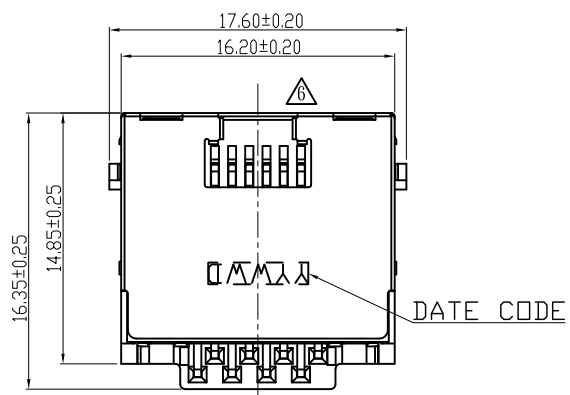
4. RDHS AND HALOGEN FREE COMPLIANT.

5. PART LEGEND: RJN-010-1L12HX

Au PLATING ON CONTACT AREA
 G : GOLD FLASH
 6 : Au 30u*

LED ELECTRICAL CHARACTERISTIC

NODE	COLOR	WAVELENGTH	FORWARD CURRENT
A1(+)	A2(-)	GREEN	A1 ∇ A2 564-577nm If=20mA
B1(+)	B2(-)	AMBER	B1 ∇ B2 584-594nm If=20mA



GENERAL TOLERANCES (OTHERWISE SPECIFIED)	SCALE	DESIGN UNITS
	1 : 1	MILIMETER
4 PLS ±	DRAWN BY	DATE
3 PLS ±	EDEN	2015-06-16
2 PLS ± 0.20	CHECKED BY	DATE
1 PLS ± 0.25	APPROVED BY	DATE
ANGLES ± °	DRAWING NO.	
QUALITY SYMBOLS $\nabla=0$	SD-RJN010-001	

THIS DRAWING CONTAINS INFORMATION THAT IS PROPRIETARY TO VITECK CORP., LTD AND SHOULD NOT BE USED WITHOUT WRITTEN PERMISSION

VITECK CO., LTD.

TITLE
 RJ45 MODULAR JACK, RIGHT ANGLE
 DIP, H=4.00mm, WITH LED, RJ11 FOOL PROOF

PART NO.
 RJN-010 SERIES

THIRD ANGLE PROJECTION

DWG REV.
 6

SHEET NO.
 1 OF 1

SIZE

7

6

5

4

3

2

1

7

6

5

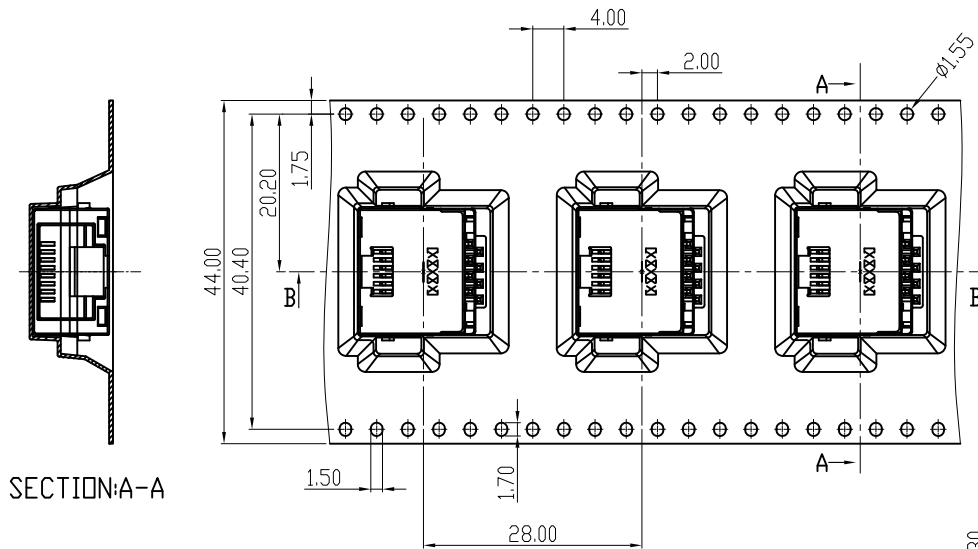
4

3

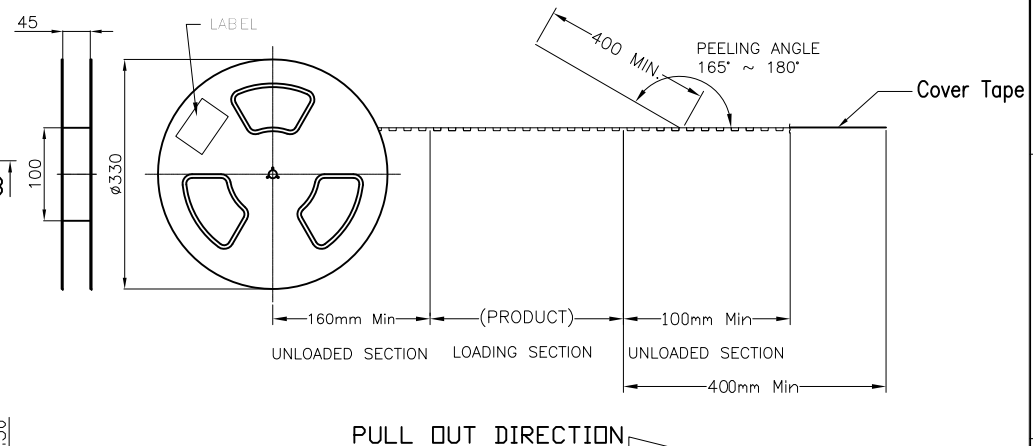
2

1

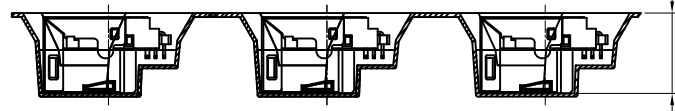
REVISIONS			
REV	DESCRIPTION	DWN	DATE
2	PROPOSAL	MAX	2015-01-20



SECTION:A-A

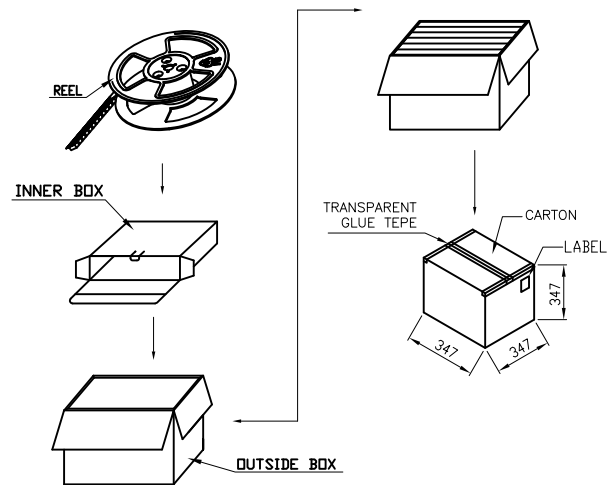


PULL OUT DIRECTION



SECTION:B-B
PULL OUT DIRECTION

PRODUCT P/N	PARTS PER SHIPPING CARTON	PARTS PER REEL (S.P.Q.)	TOTAL REELS PER SHIPPING CARTON
RJN-010 SERIES	1200(PCS)	200(PCS)	6



GENERAL TOLERANCES (OTHERWISE SPECIFIED)	SCALE 1 : 1	DESIGN UNITS MILIMETER	VITECK CO., LTD.
4 PLS ±	DRAWN BY MAX	DATE 2015-01-20	
3 PLS ±	CHECKED BY	DATE	TITLE RJ45 MODULAR JACK, RIGHT ANGLE DIP, H=4.00mm, WITH LED, RJ11 FOOL PROOF
2 PLS ± 0.20	APPROVED BY	DATE	PART NO. RJN-010 SERIES
1 PLS ± 0.25	DRAWING NO. PK-RJN010-001		
ANGLES ± °			
QUALITY SYMBOLS $\nabla \sqrt{0}$			
THIS DRAWING CONTAINS INFORMATION THAT IS PROPRIETARY TO VITECK CORP, LTD AND SHOULD NOT BE USED WITHOUT WRITTEN PERMISSION			THIRD ANGLE PROJECTION DWG REV. 2 SHEET NO. 1 OF 1 SIZE

7

6

5

4

3

2

1